

360x600cm

x14
(6x220)



x18
(6x160)



x18
(6x100)



x36
(6x80)



x76
(4x70)



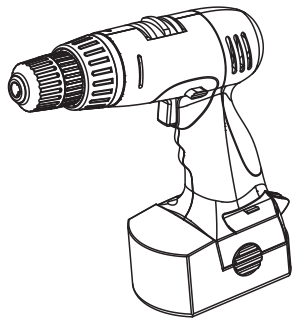
x2



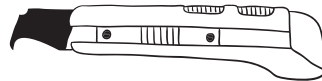
x1



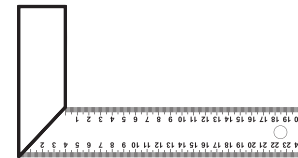
x2



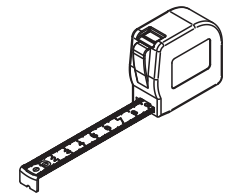
x1



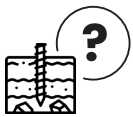
x2



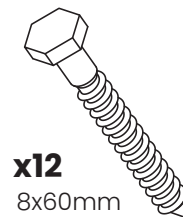
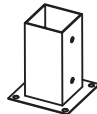
x1



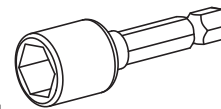
x1



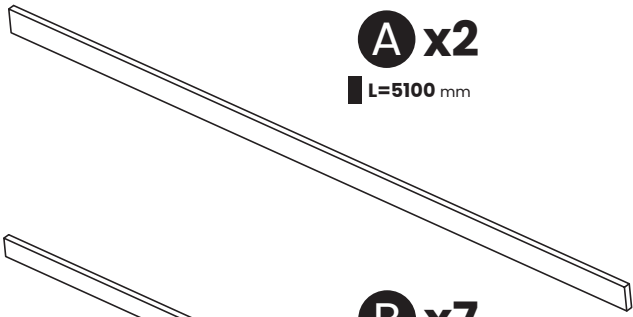
x6



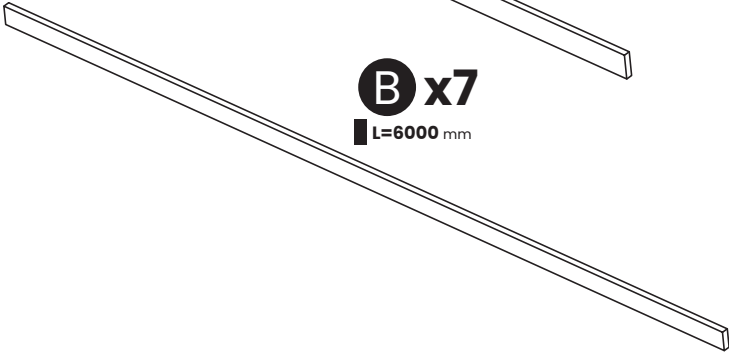
x12
8x60mm



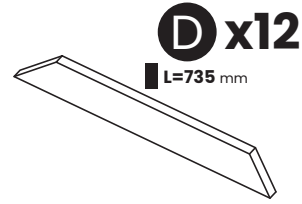
x1
●13



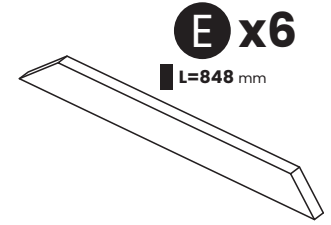
A x2
L=5100 mm



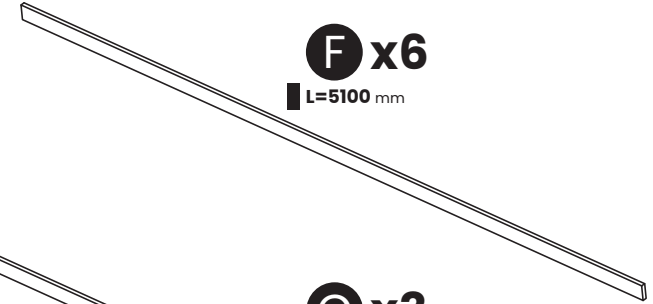
B x7
L=6000 mm



D x12
L=735 mm



E x6
L=848 mm



F x6
L=5100 mm



G x3
L=6056 mm

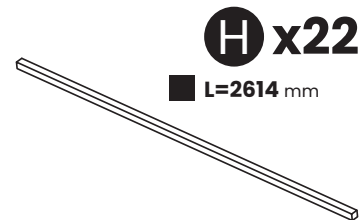
C1 x2
h=2456 mm



C2 x2
h=2470 mm

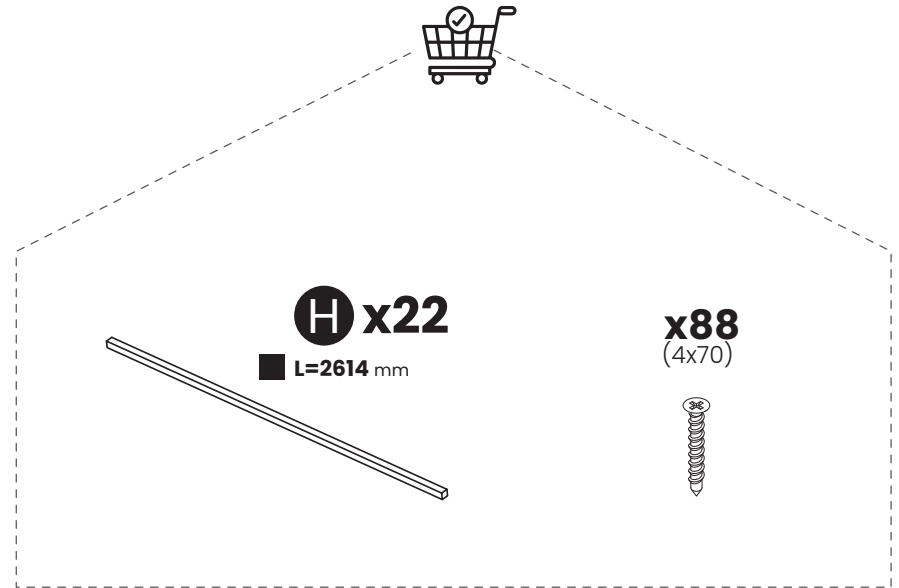


C3 x2
h=2485 mm

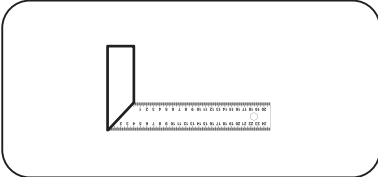
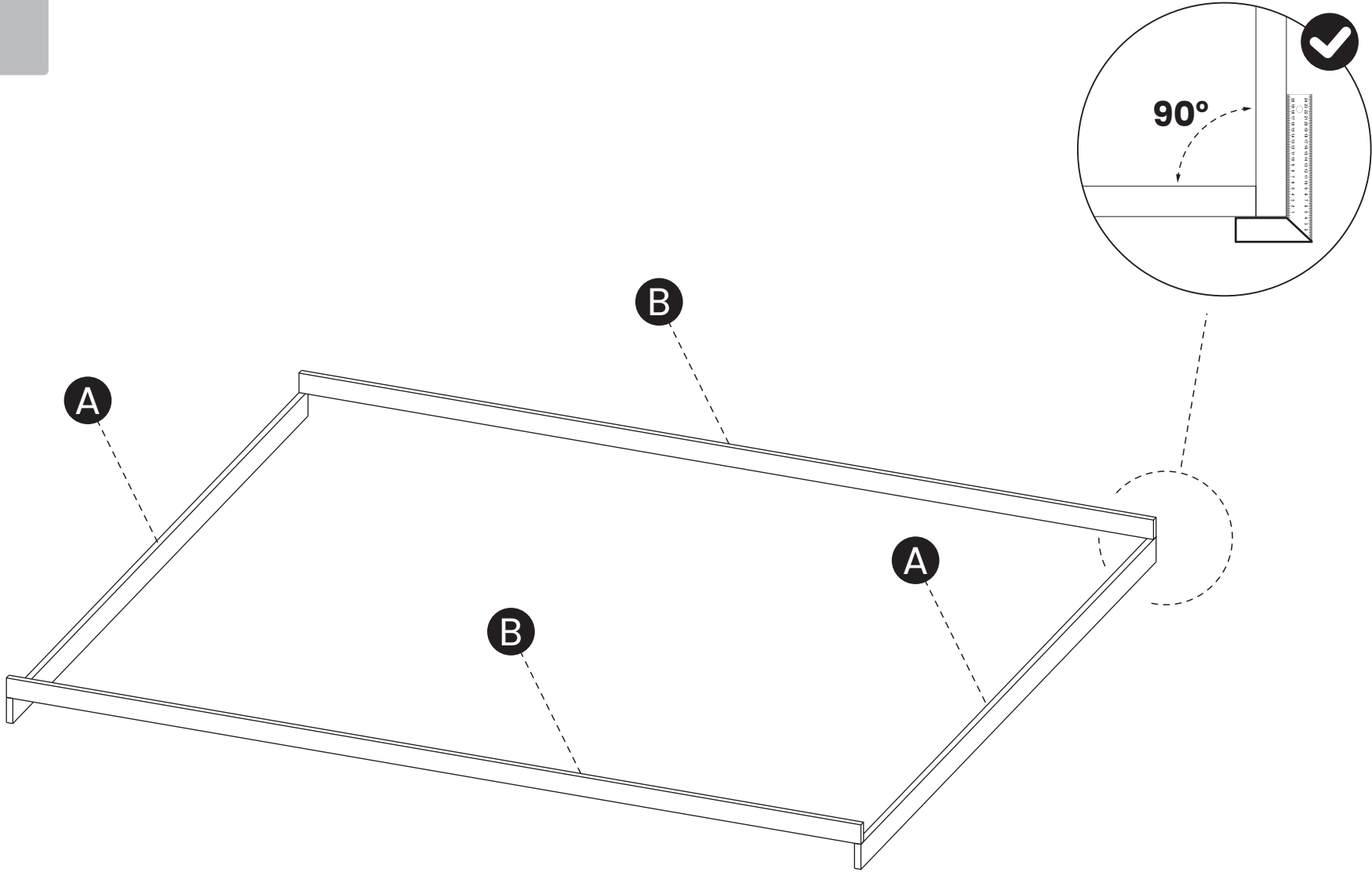


H x22
L=2614 mm

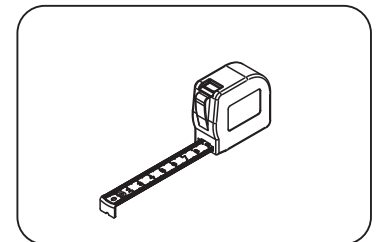
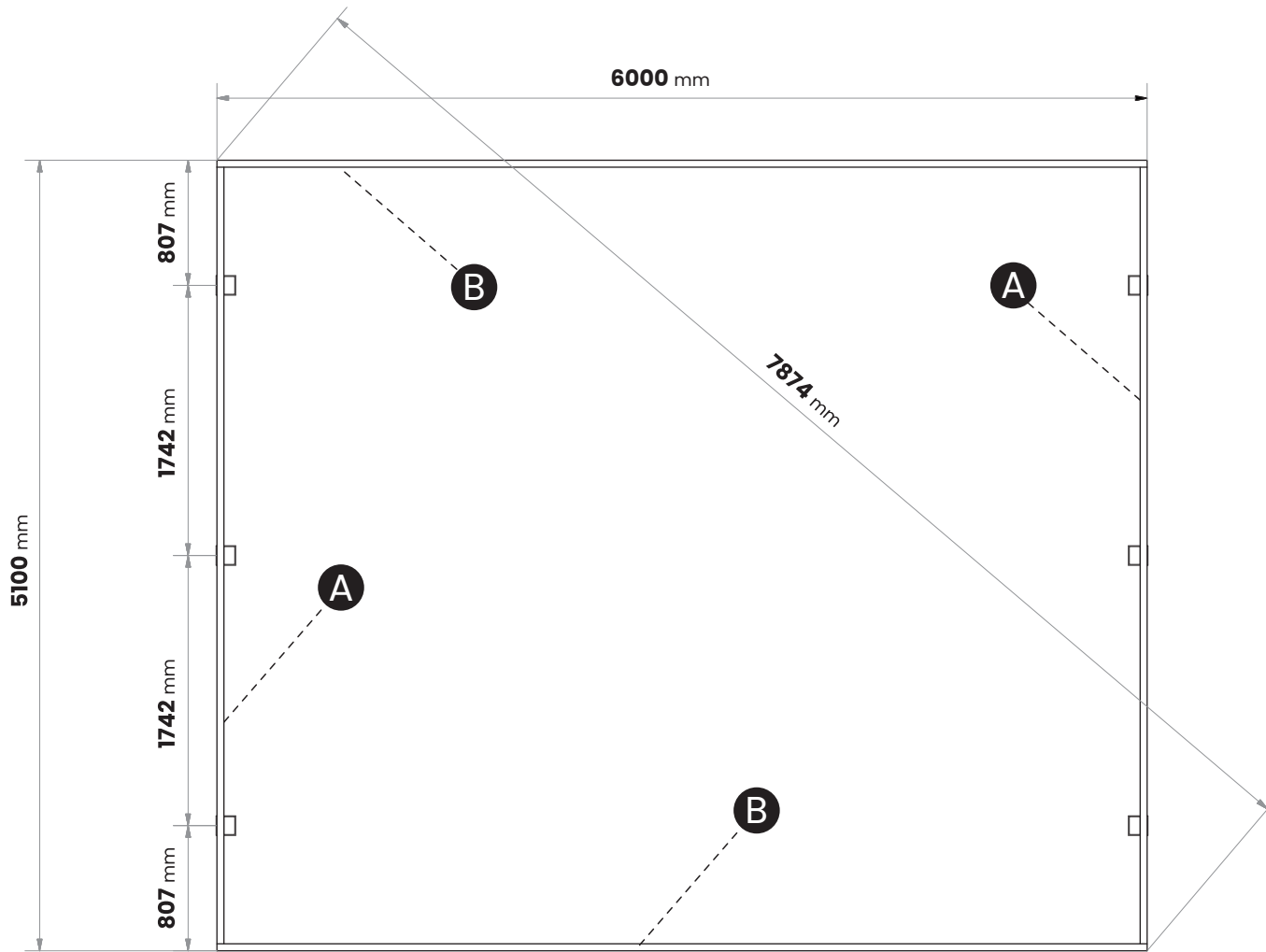
x88
(4x70)



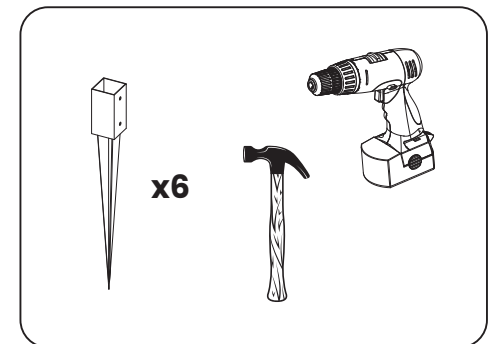
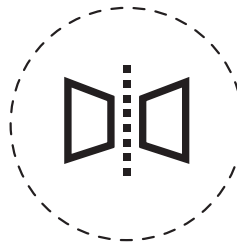
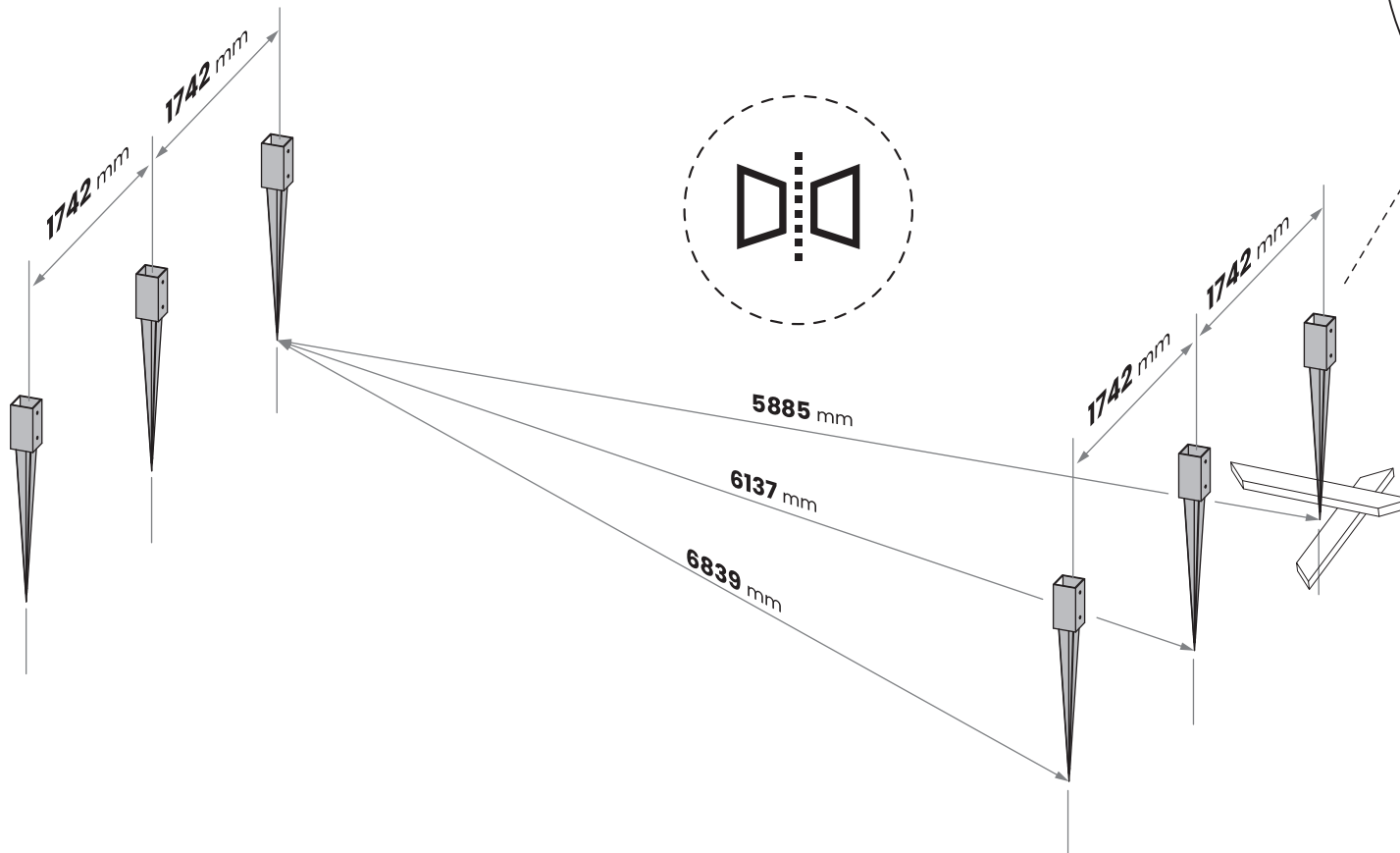
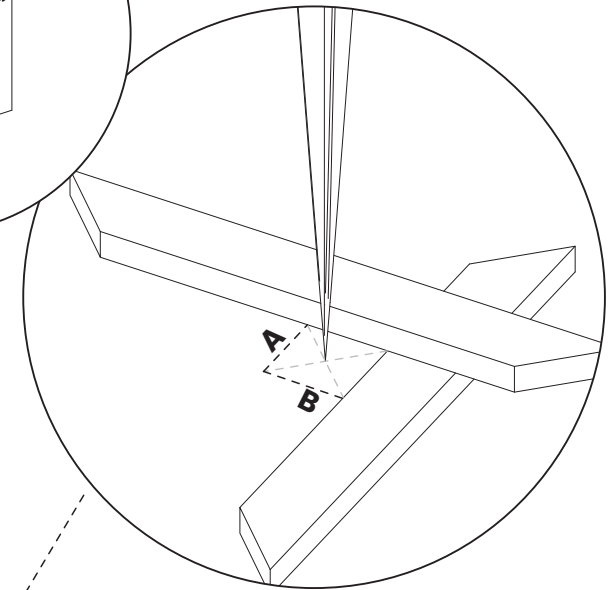
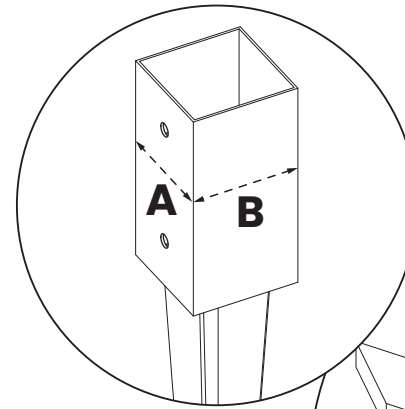
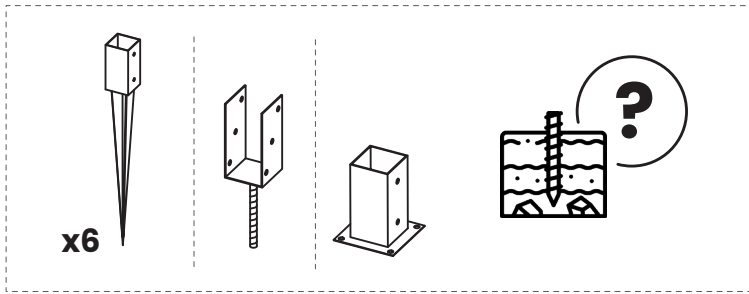
1



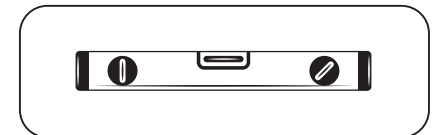
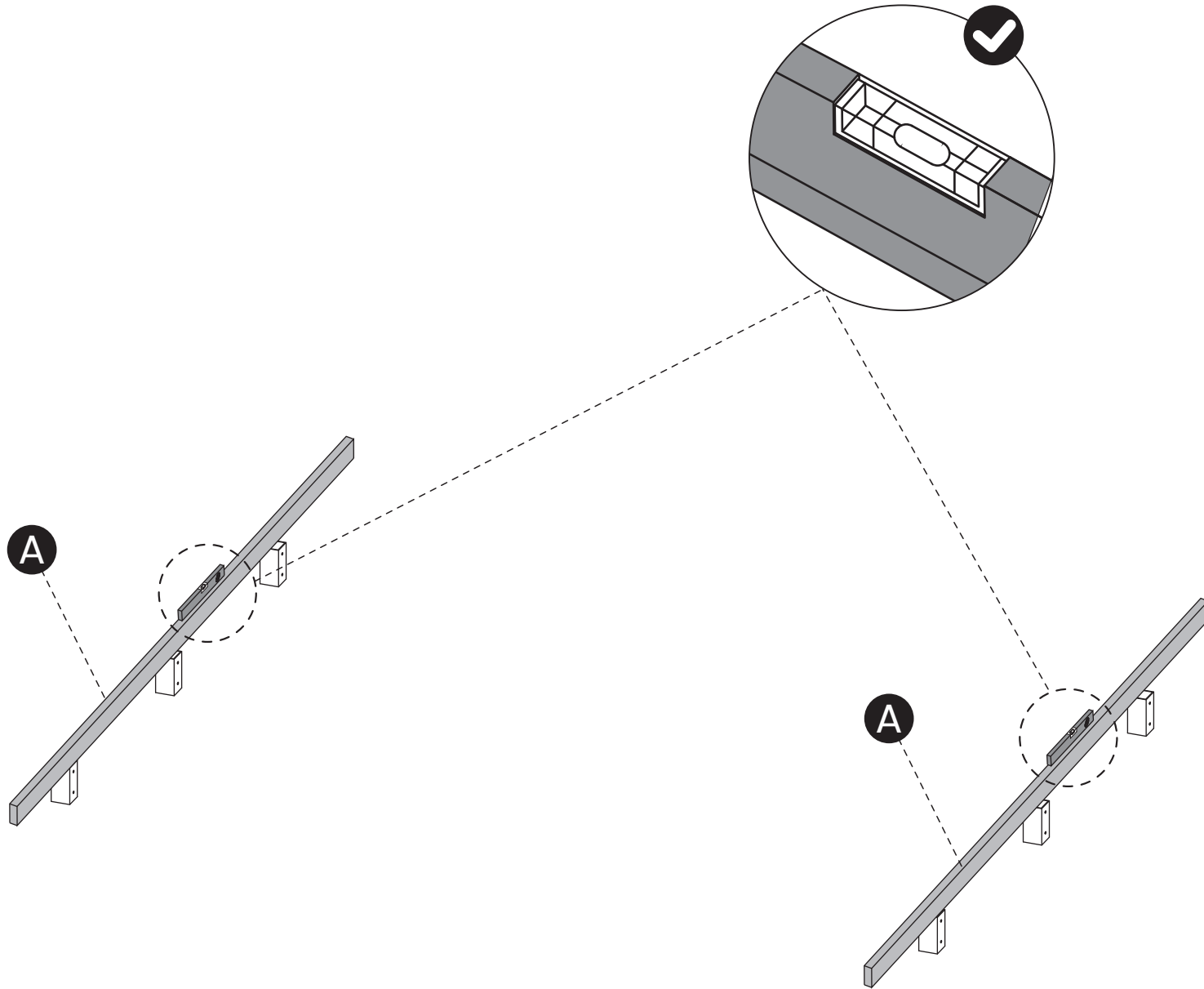
2



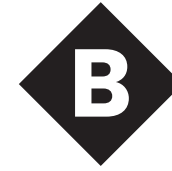
3



4

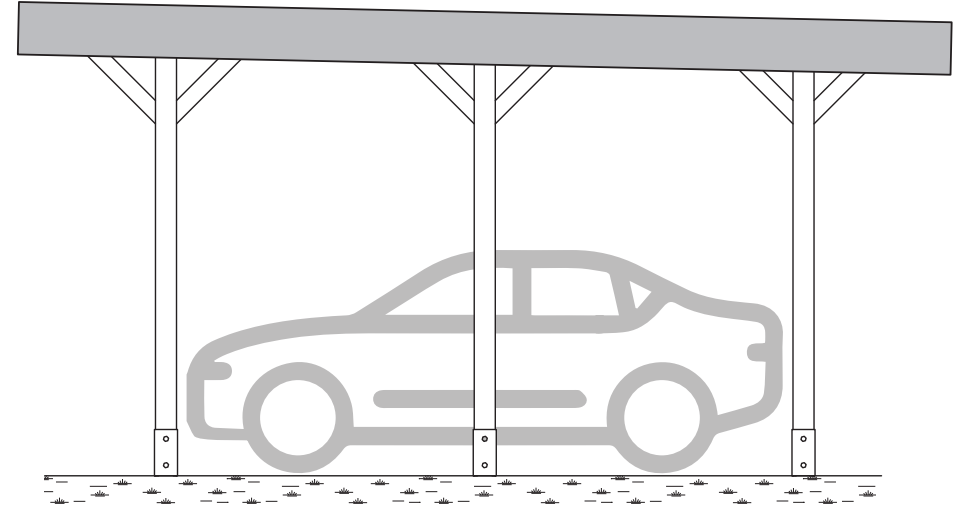
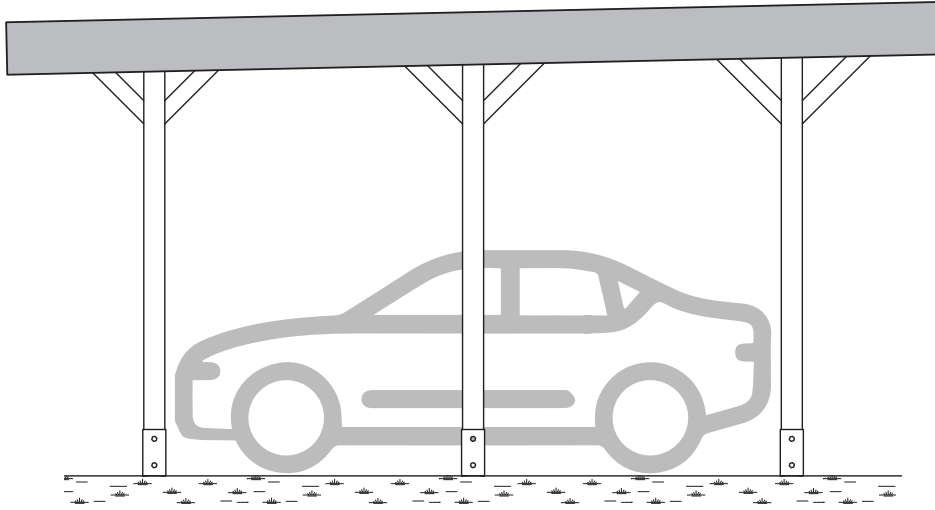


5



2-3%

2-3%



C1

C2

C3

h=2456mm

h=2470mm

h=2485mm

C3

C2

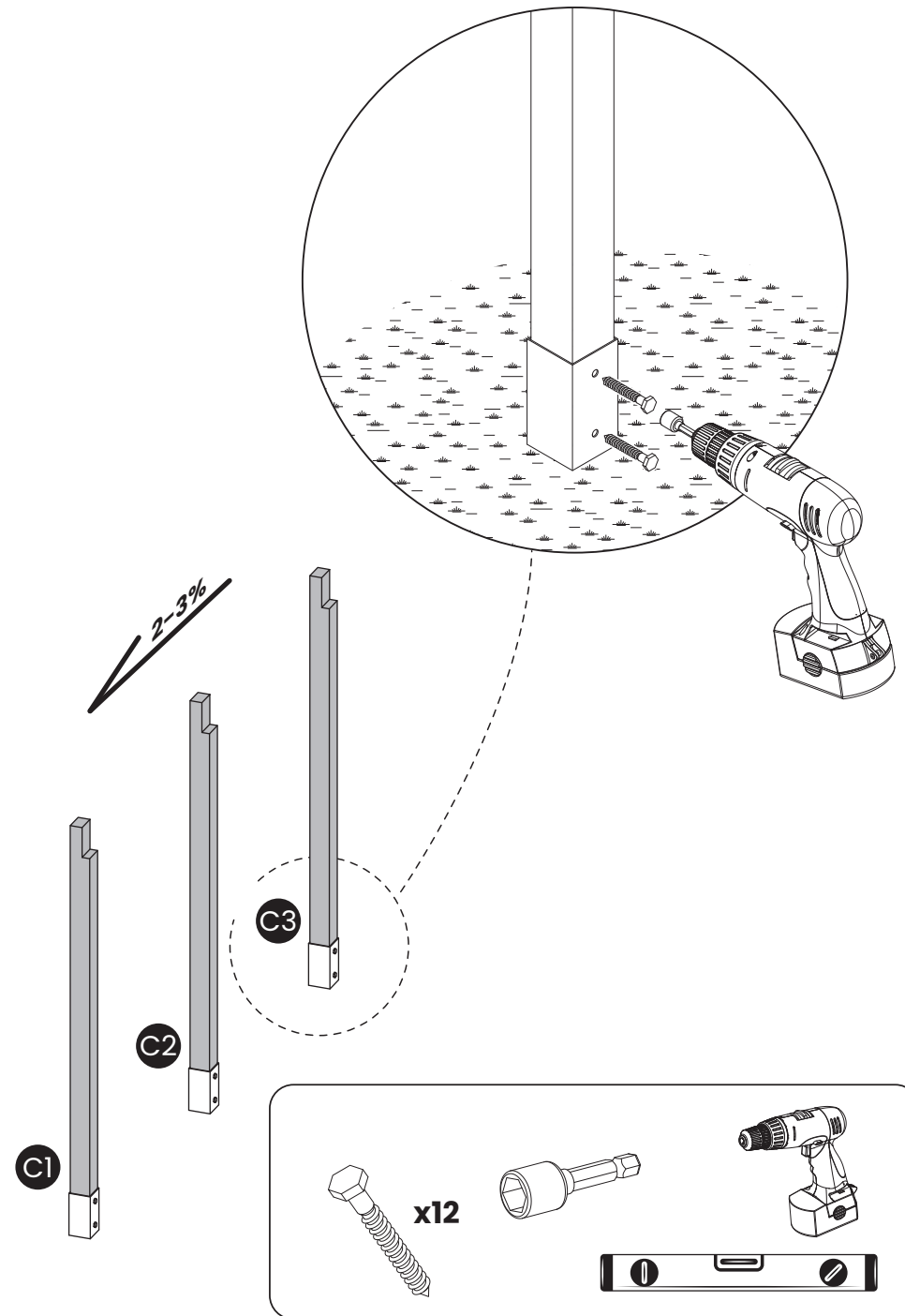
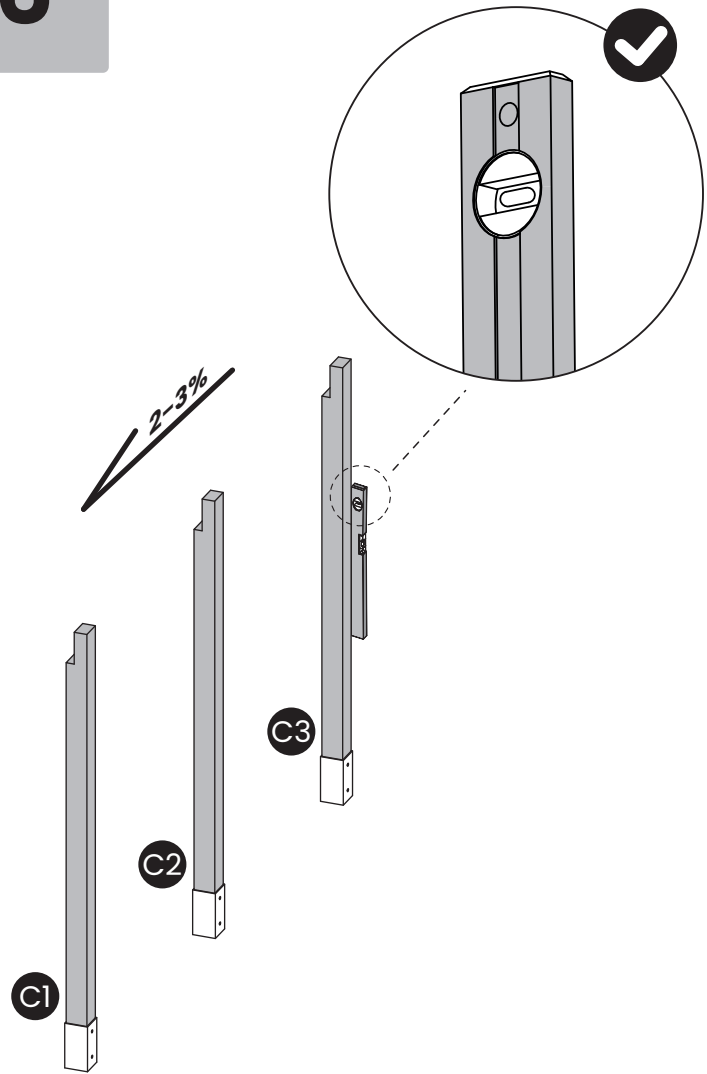
C1

h=2485mm

h=2470mm

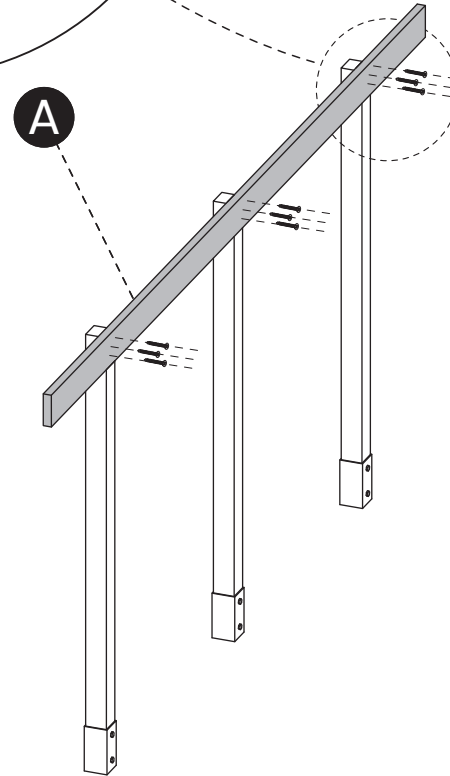
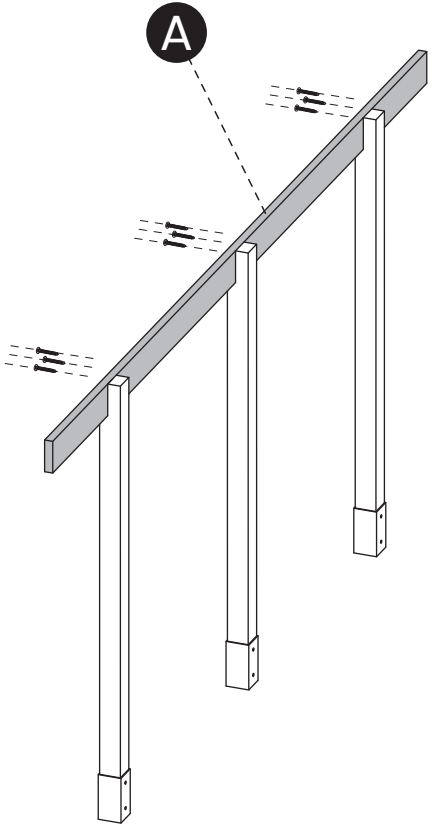
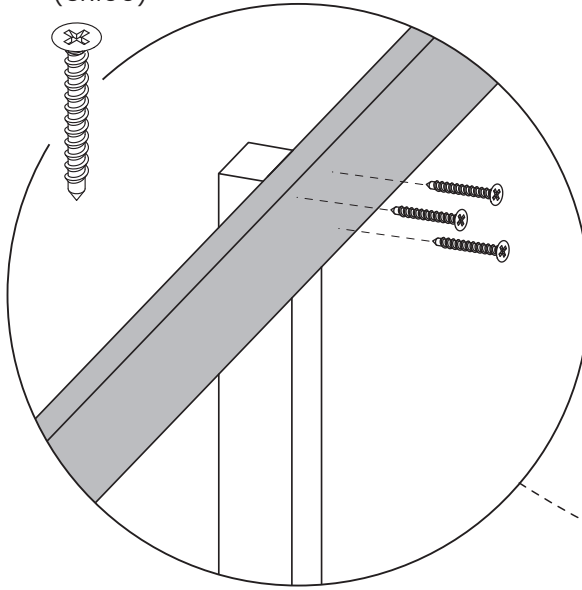
h=2456mm

6



7

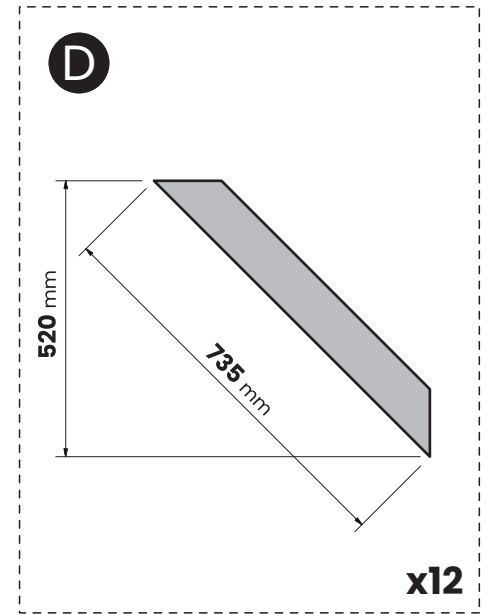
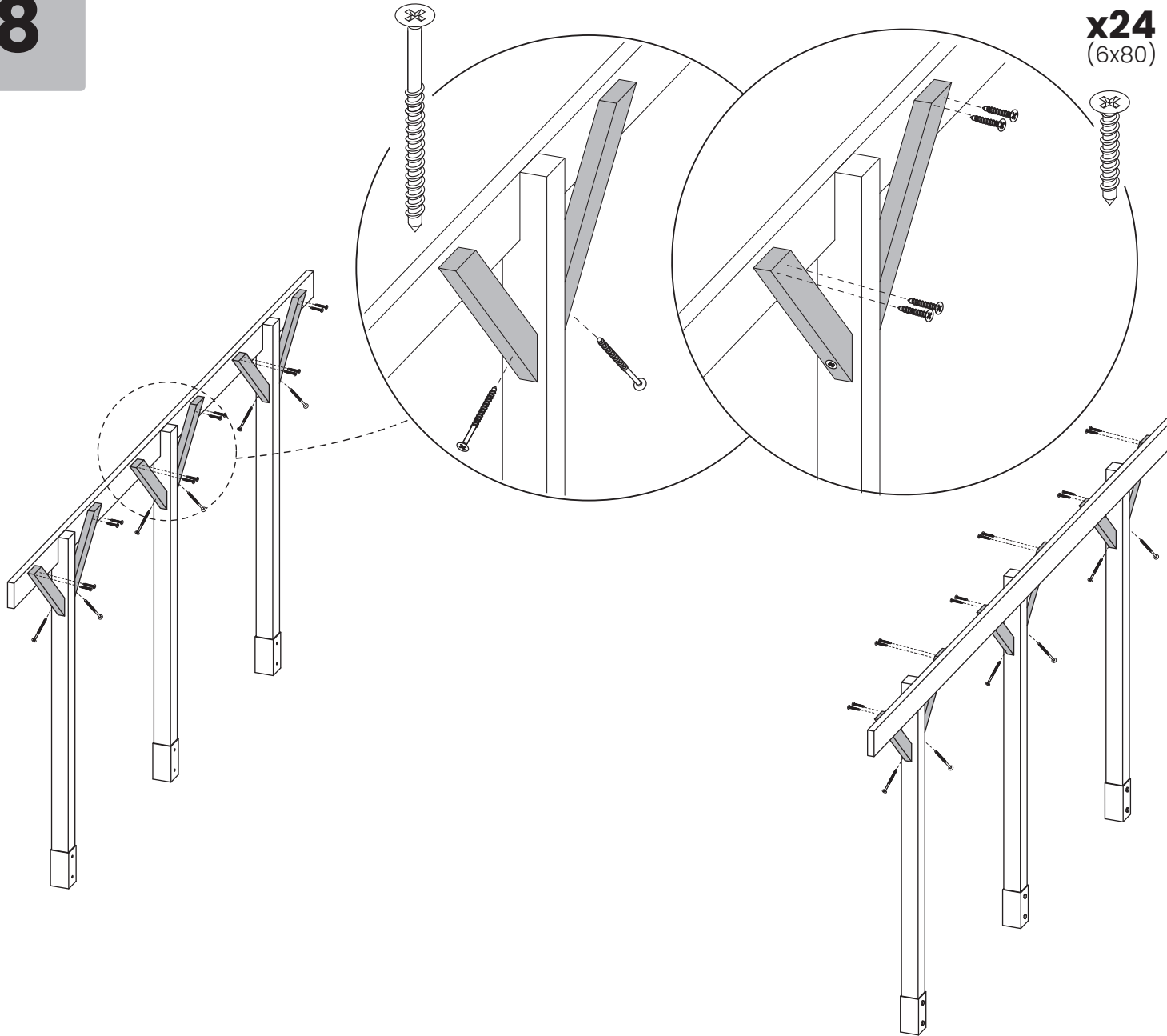
x18
(6x100)



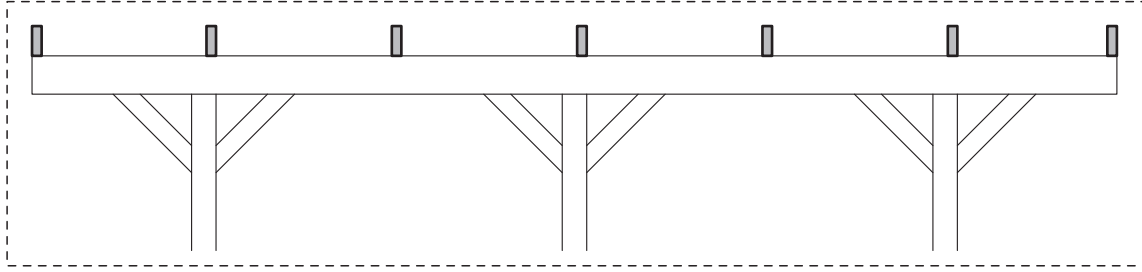
8

x12
(6x160)

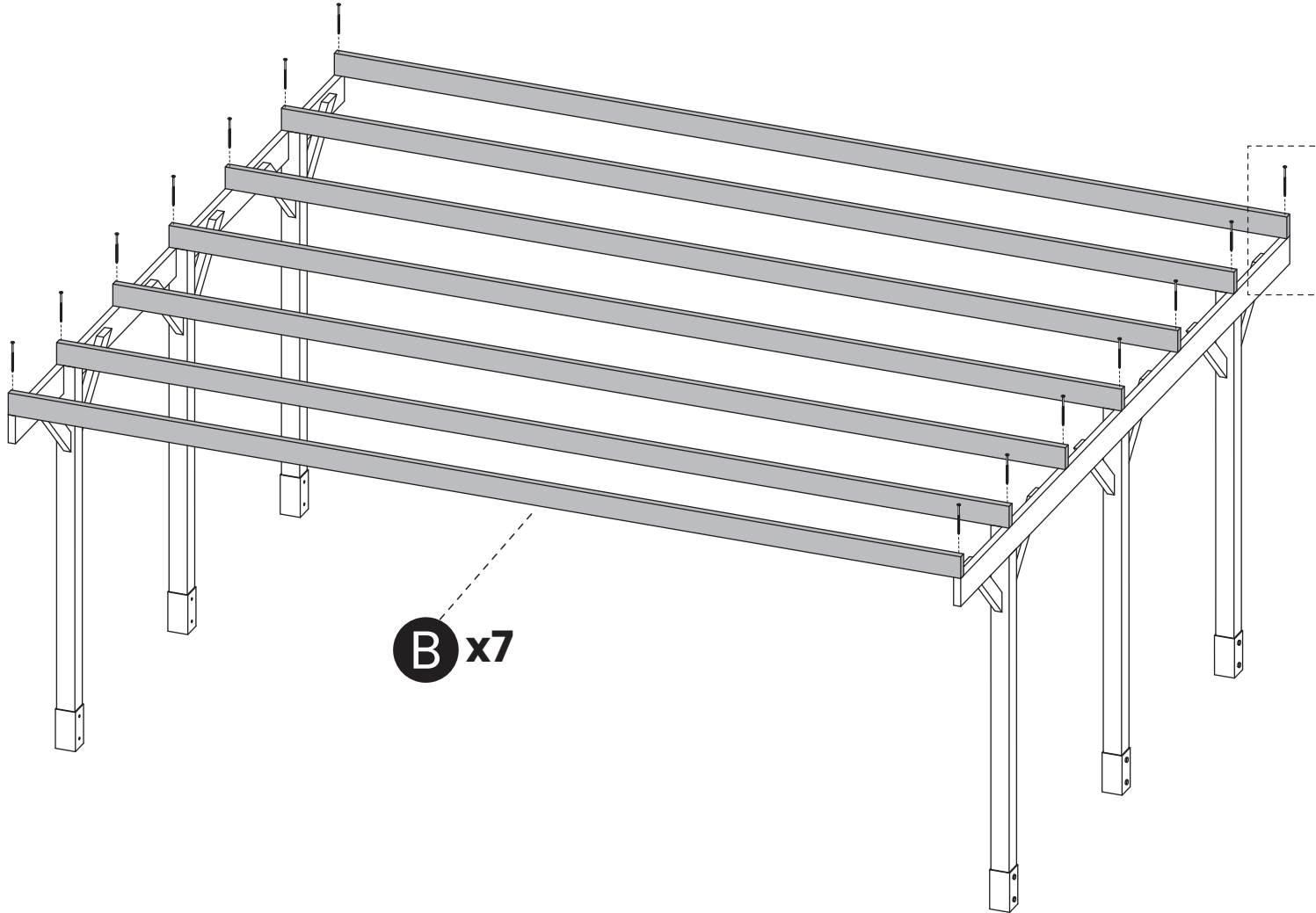
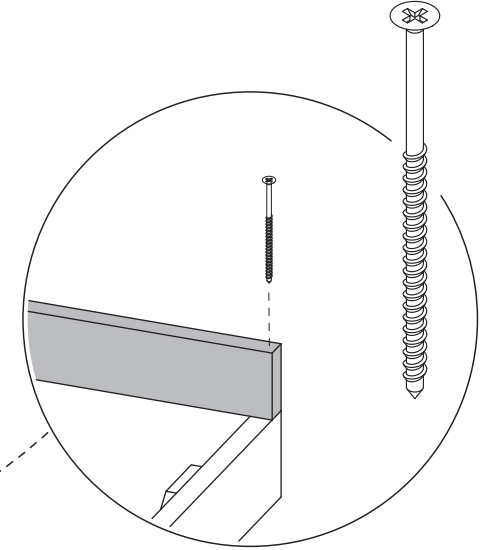
x24
(6x80)



9

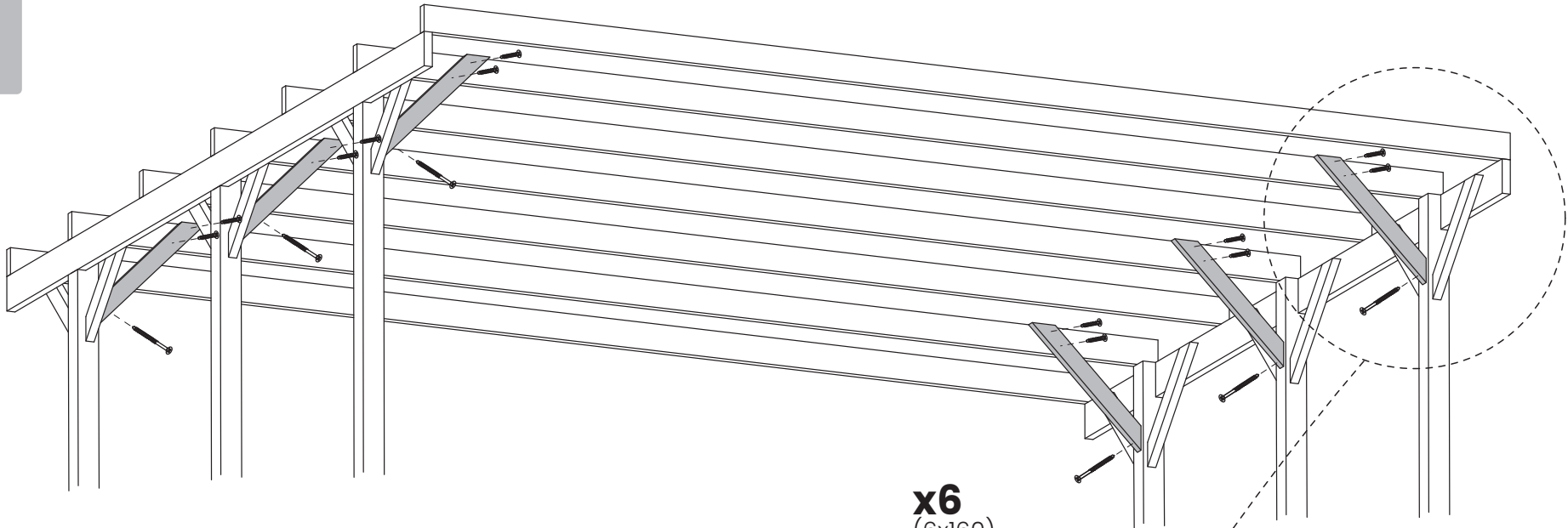


x14
(6x220)



B x7

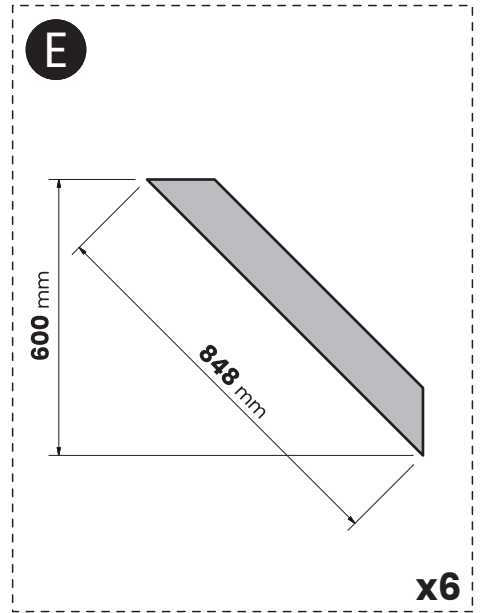
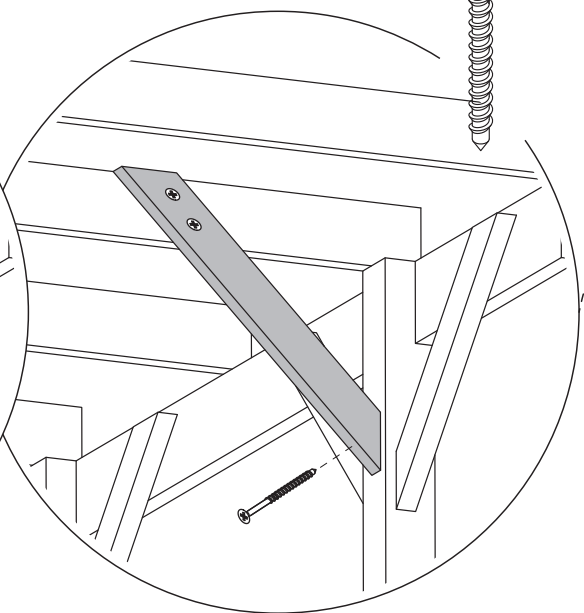
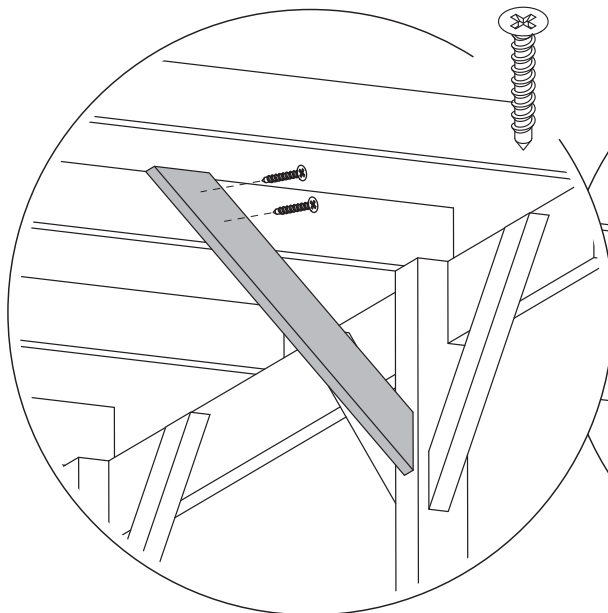
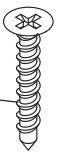
10



x6
(6x160)

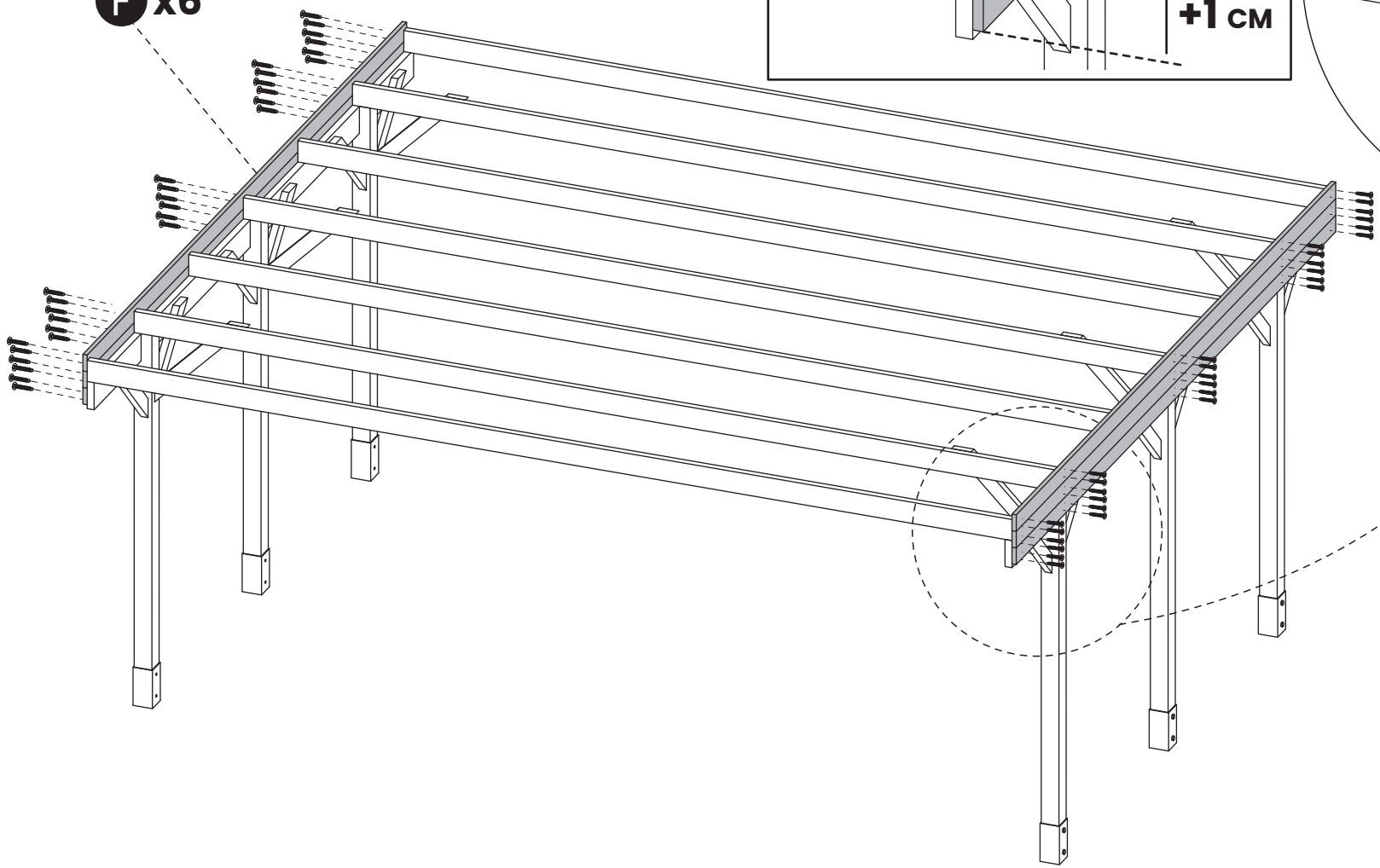
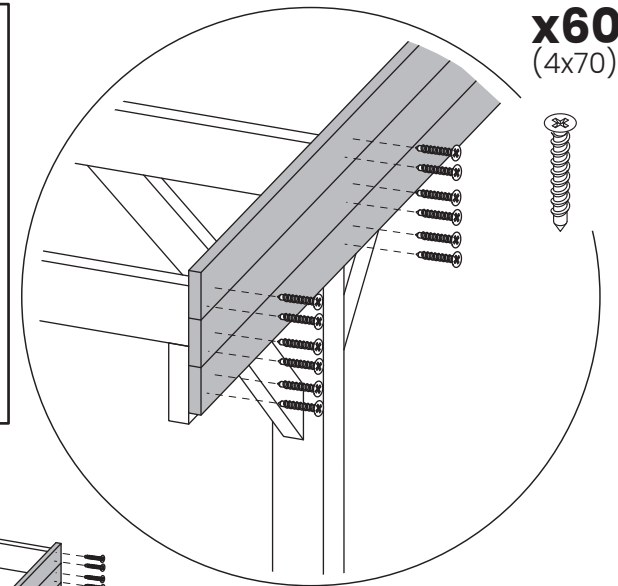
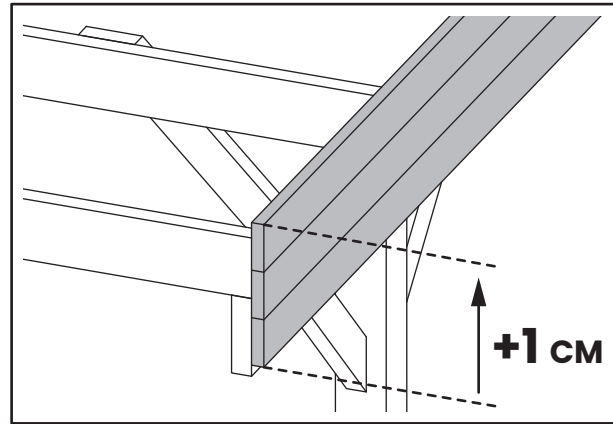


x12
(6x80)

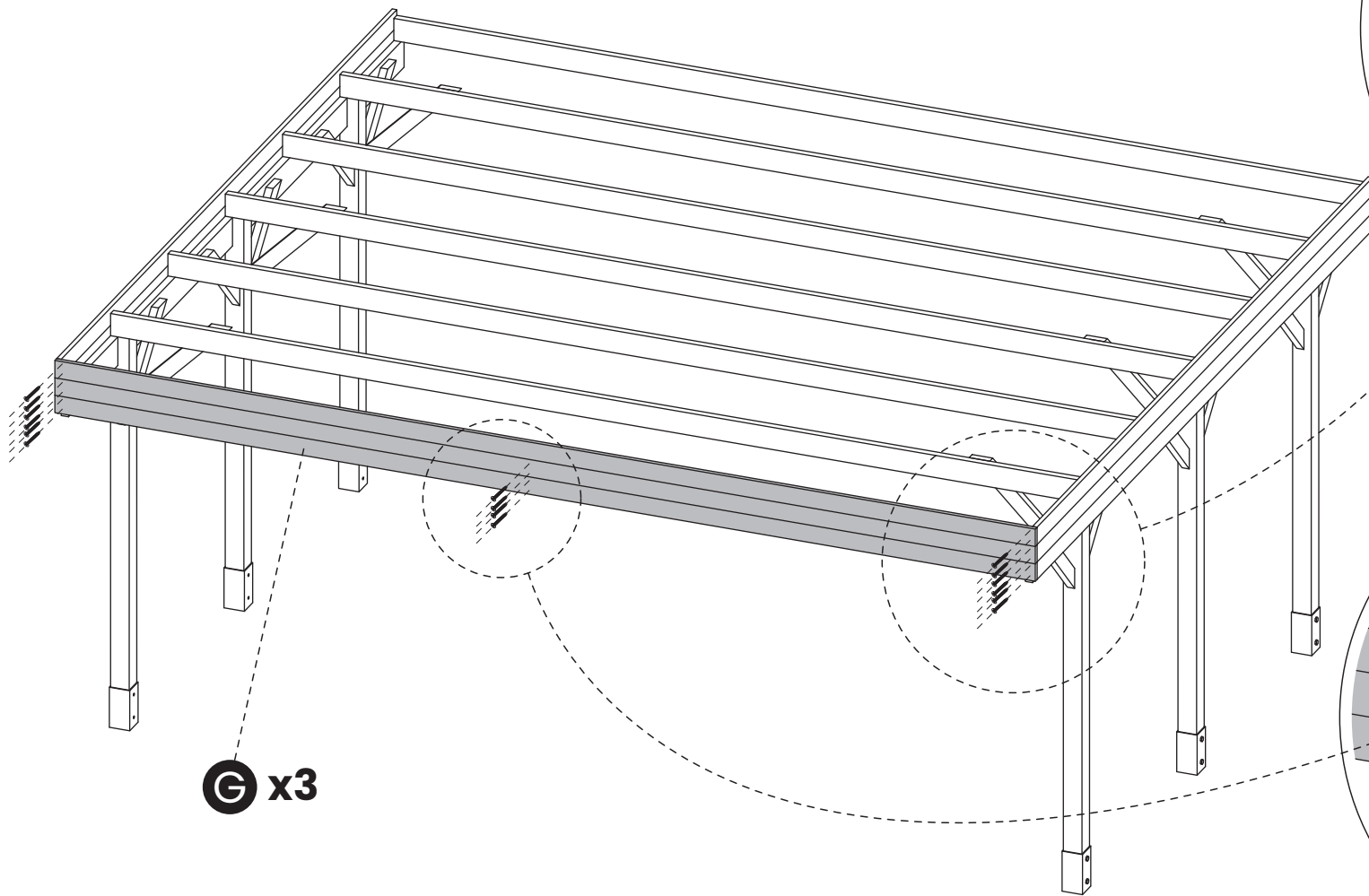


11

F x6

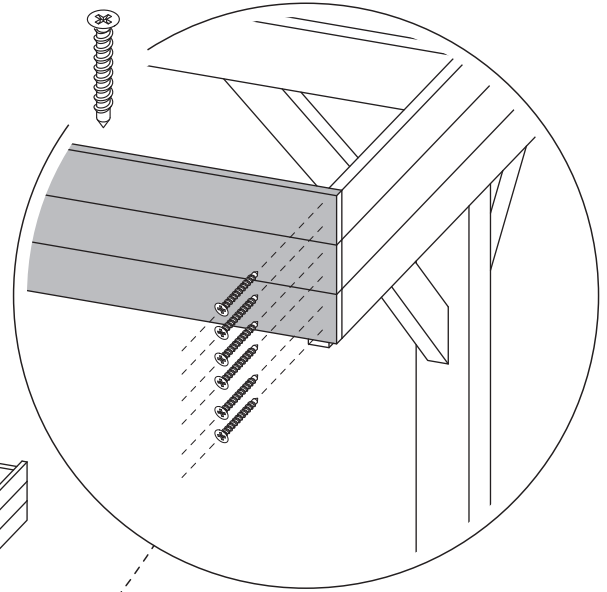


12

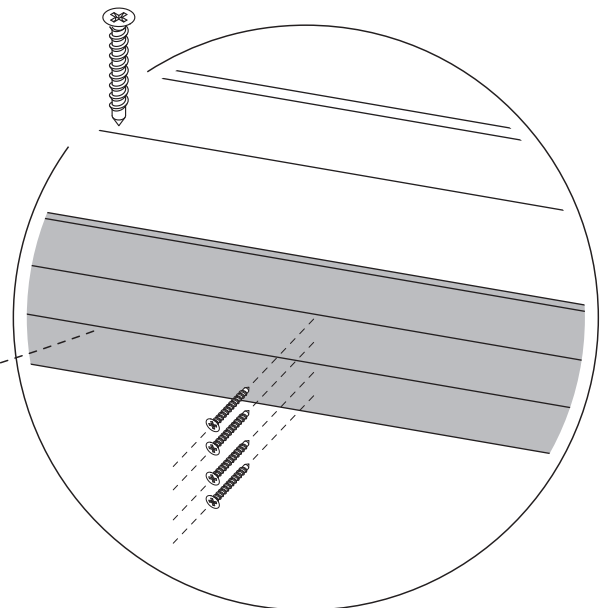


G x3

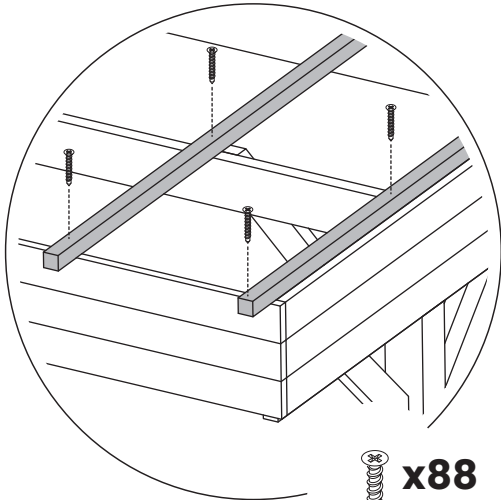
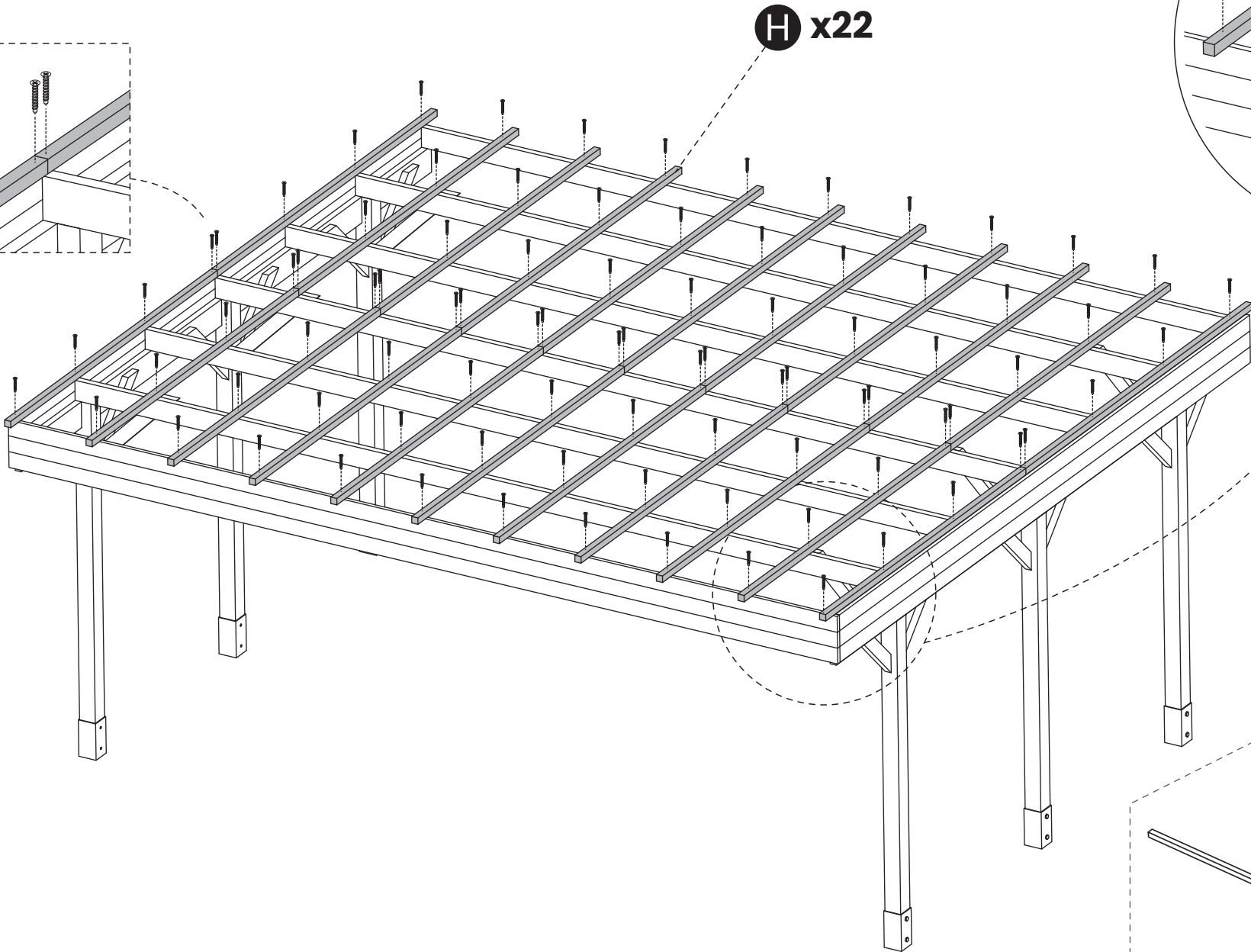
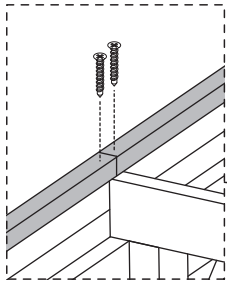
x12
(4x70)



x4
(4x70)



13



x88
(4x70)

