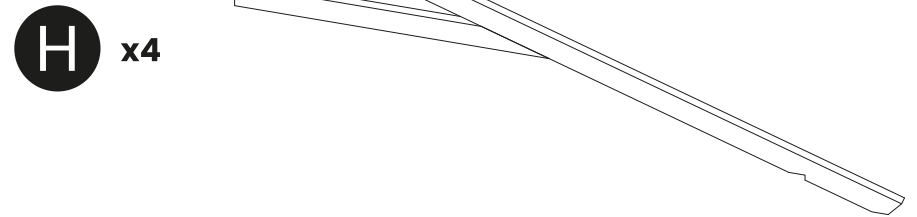
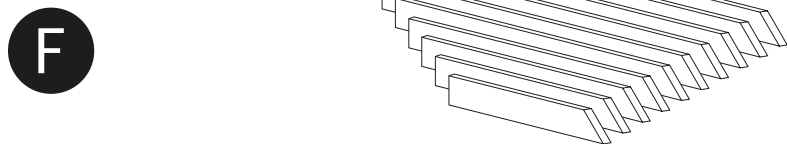
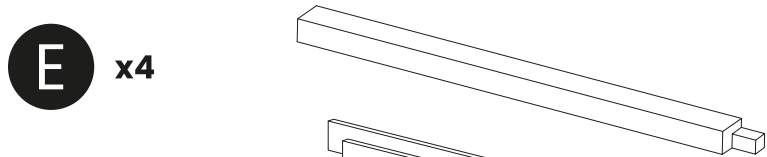
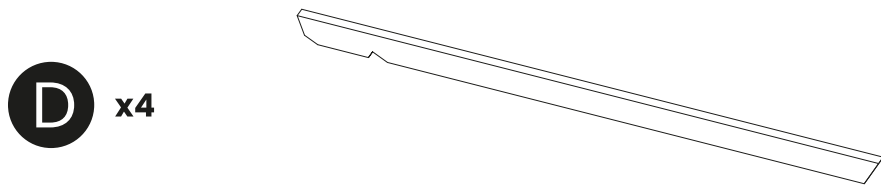
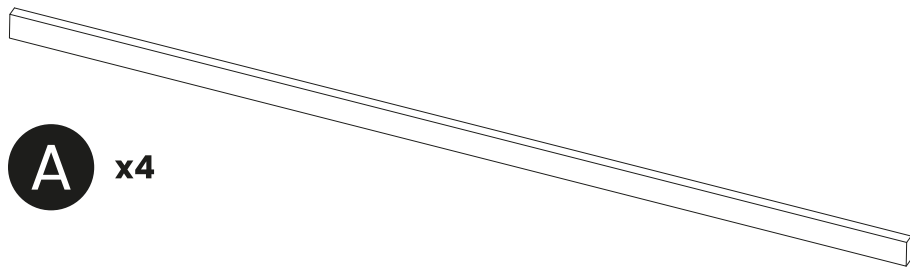


370x370cm



x20
W1 (6x160)



x24
W2 (6x140)



x16
W4 (6x100)



x16
W3 (6x80)



x1150
W5 (2x50)





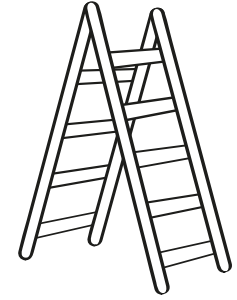
x2



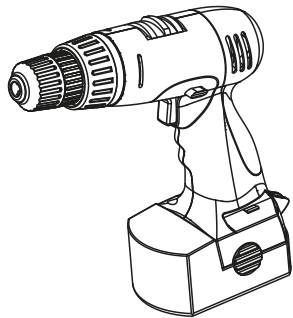
x1



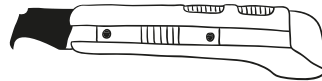
x1



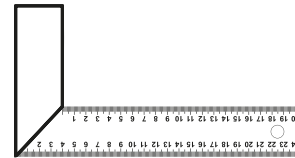
x2



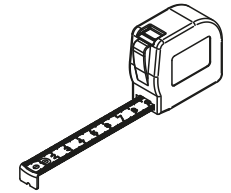
x1



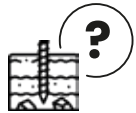
x2



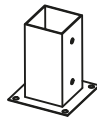
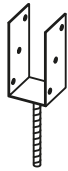
x1



x1

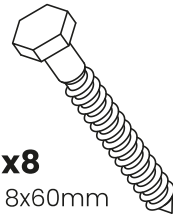


x4



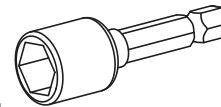
x8

8x60mm

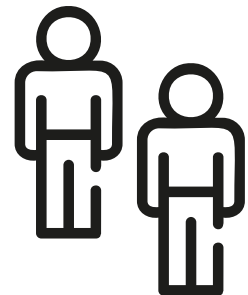
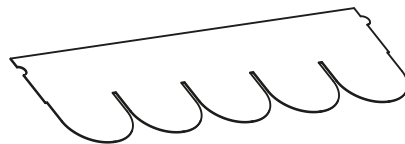
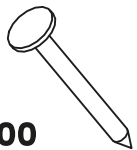


x1

●13

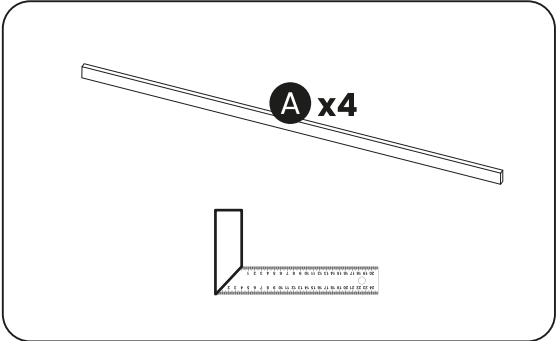
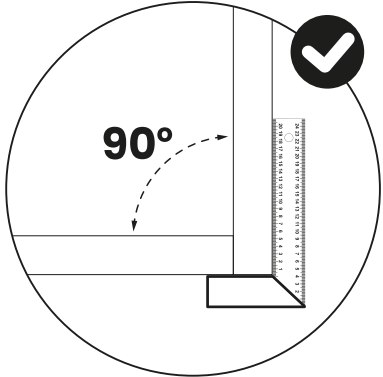
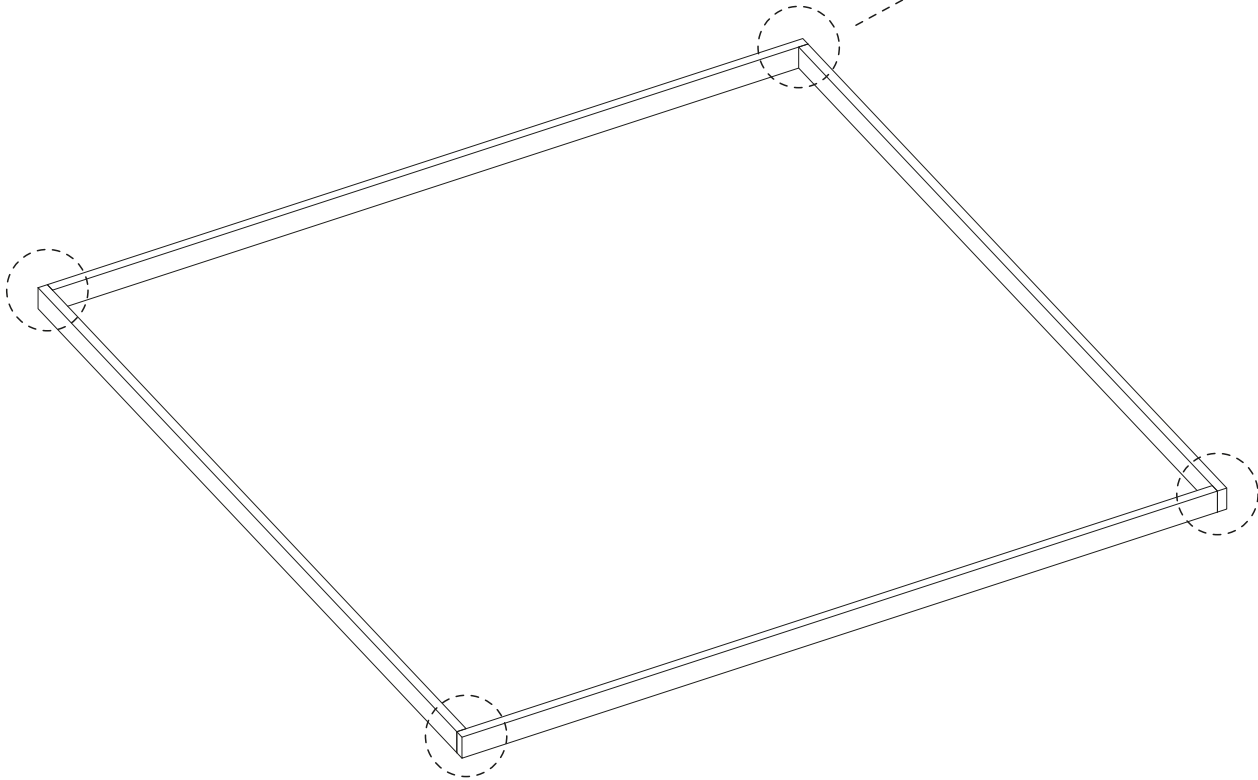


x1200
9x20mm

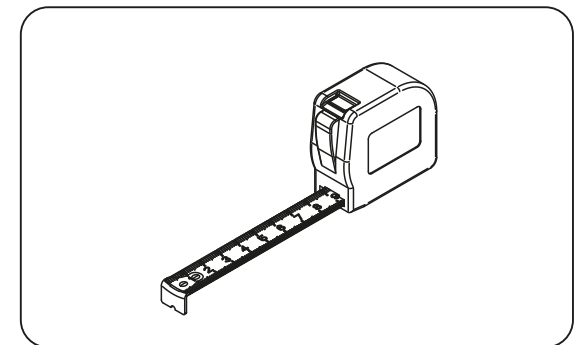
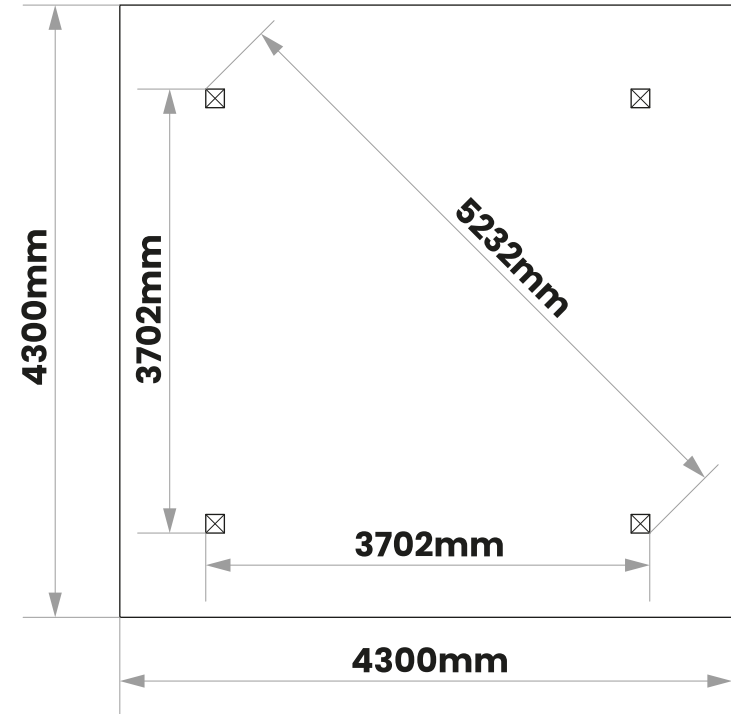
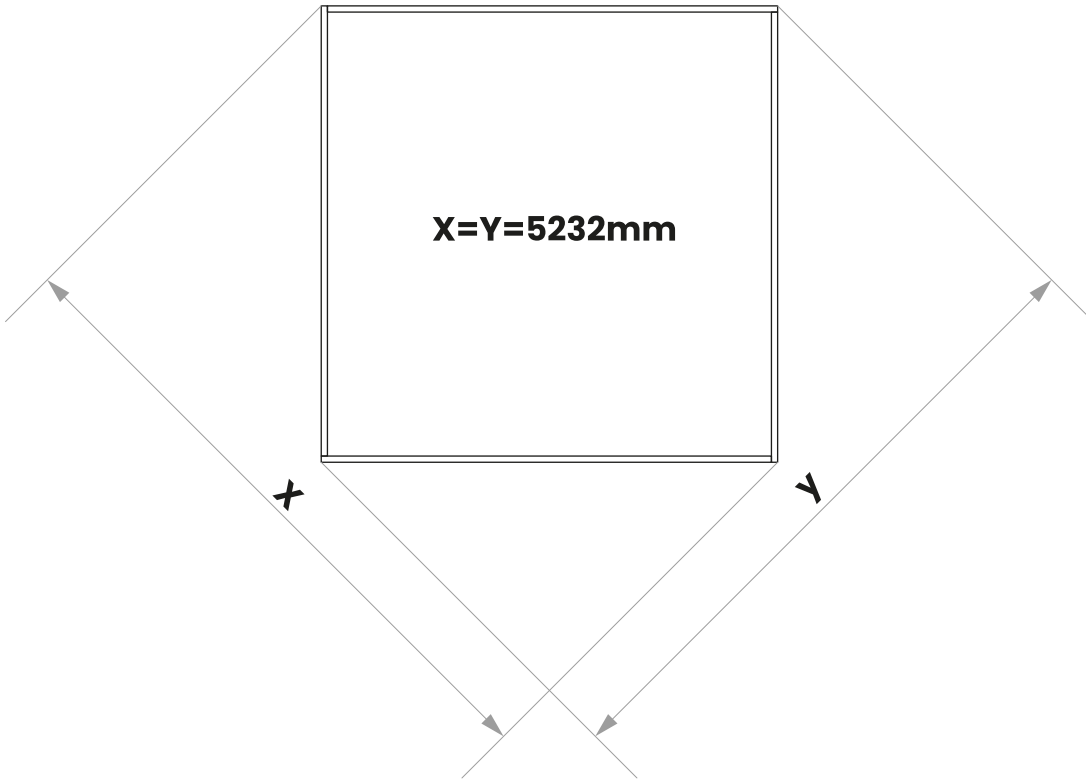


x2

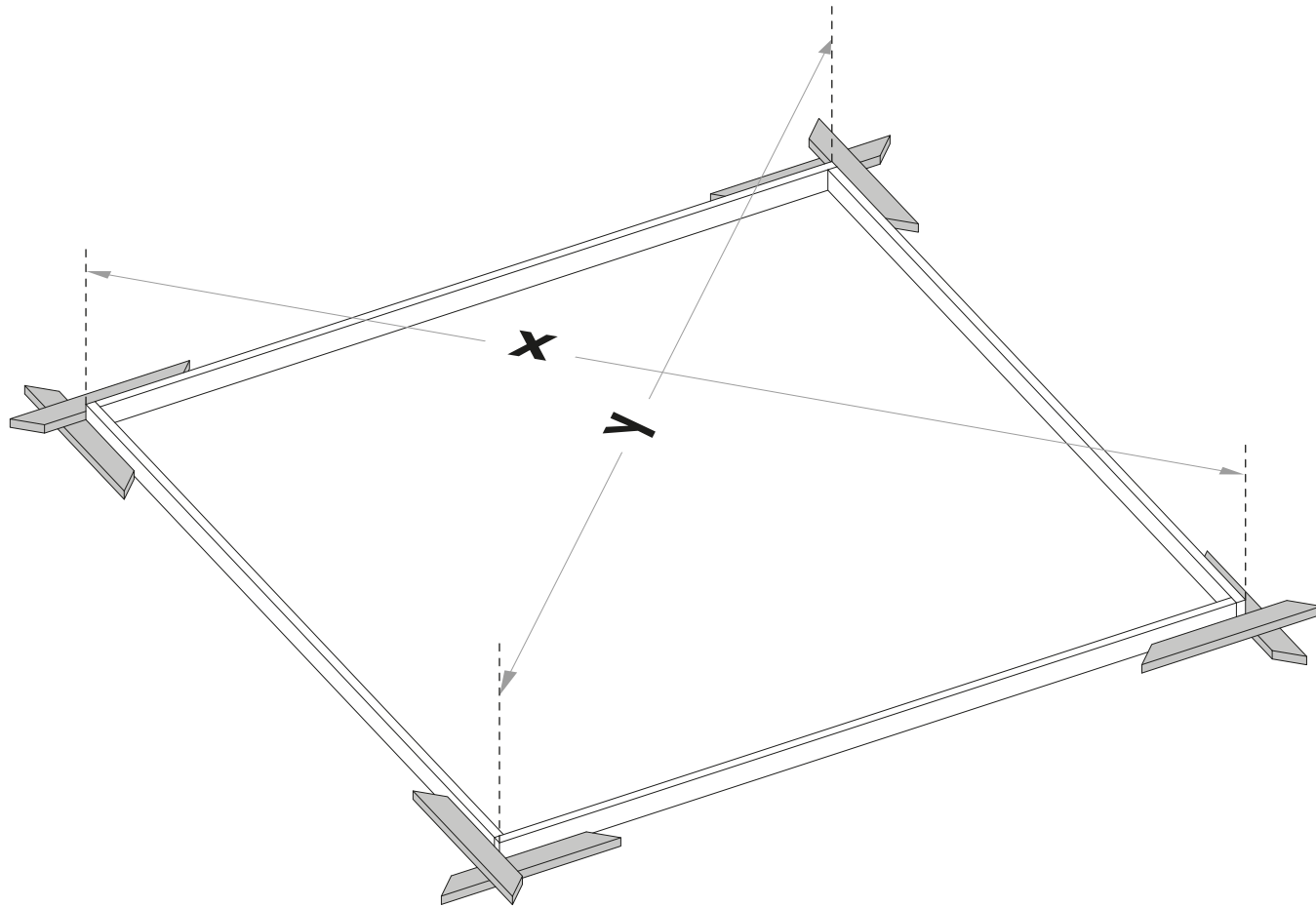
1



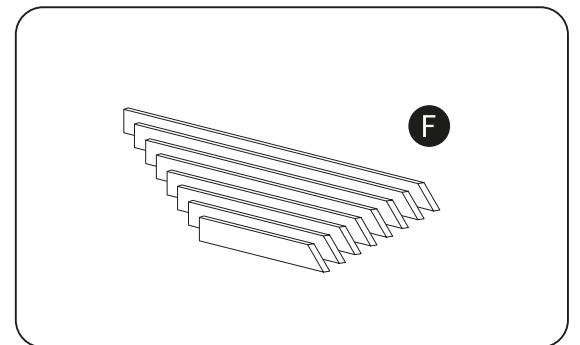
2



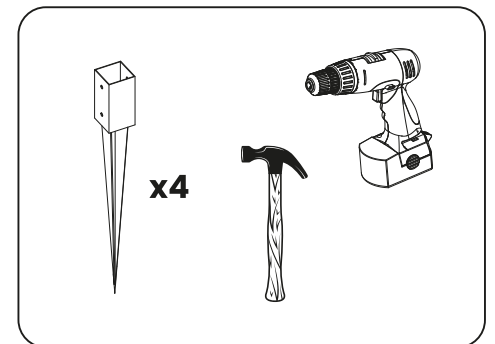
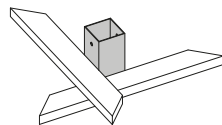
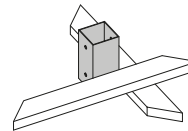
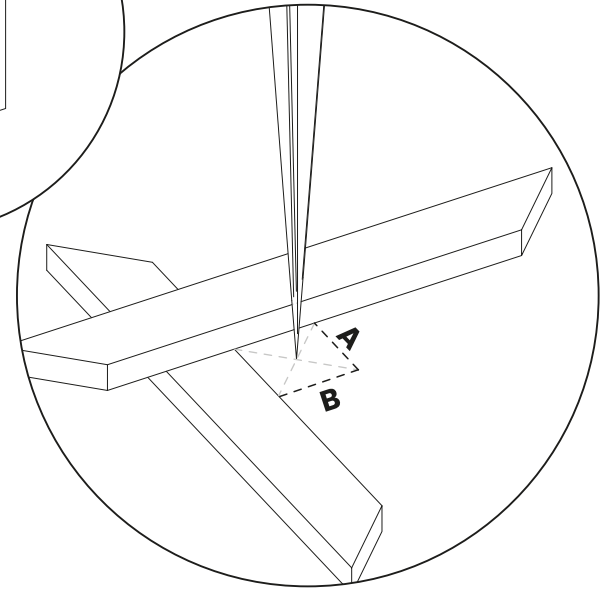
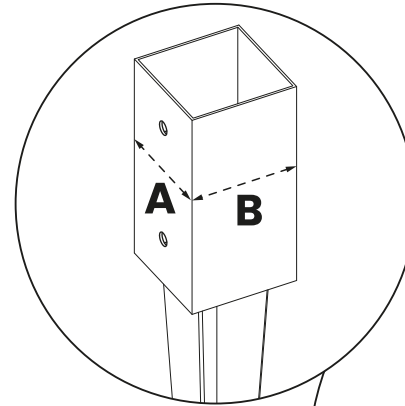
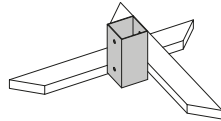
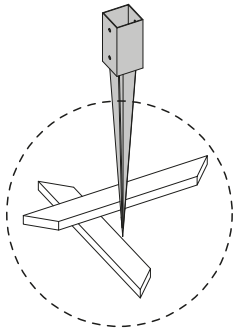
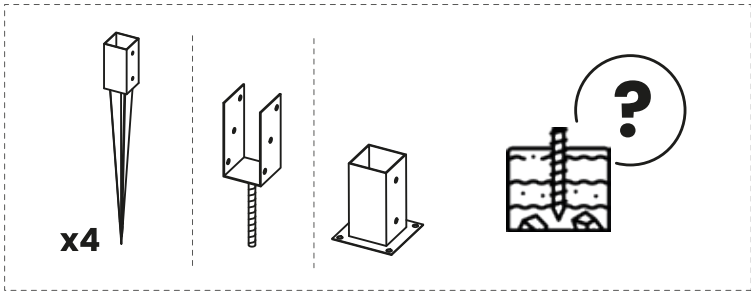
3



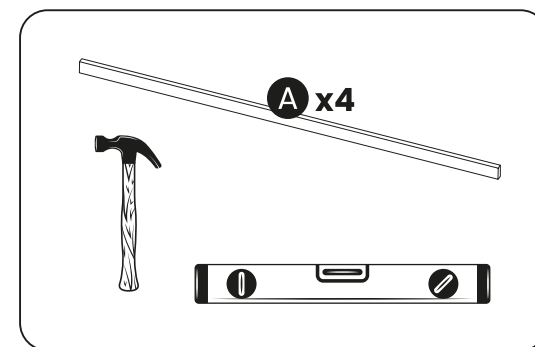
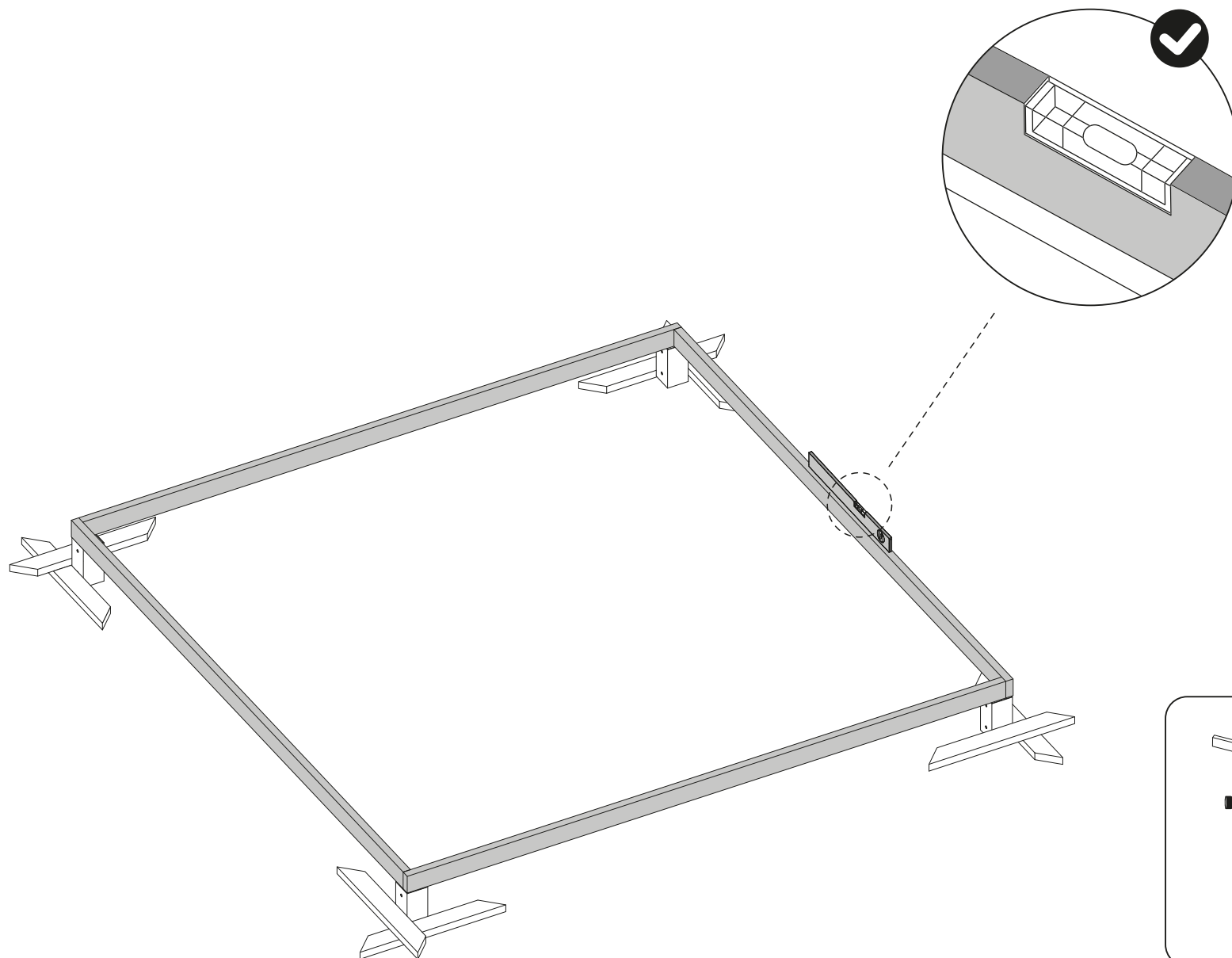
X=Y=5232mm



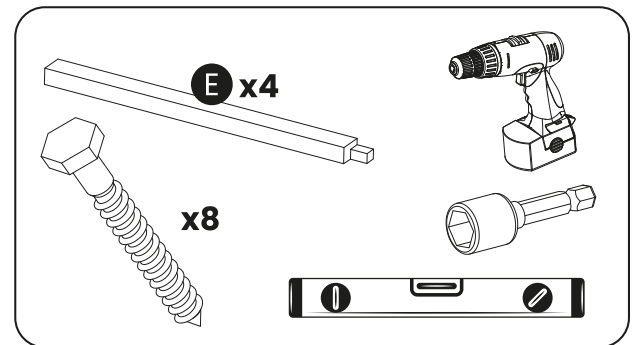
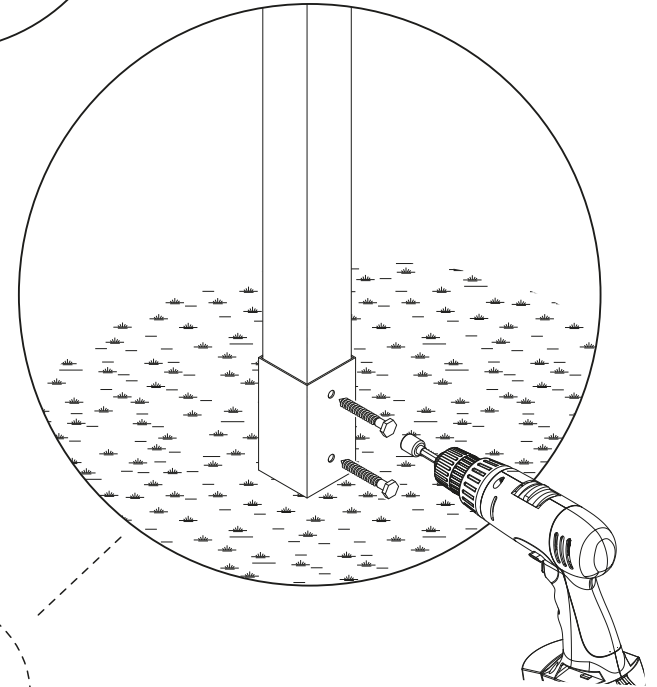
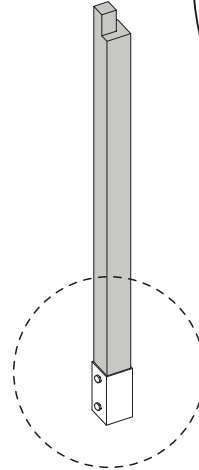
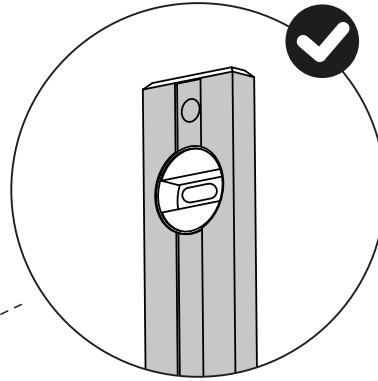
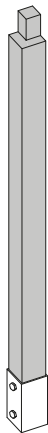
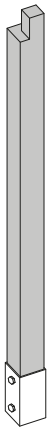
4



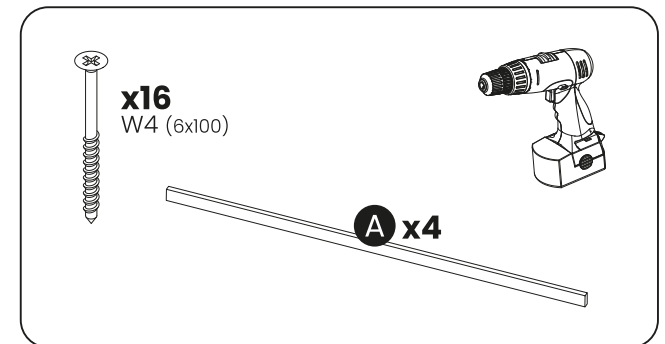
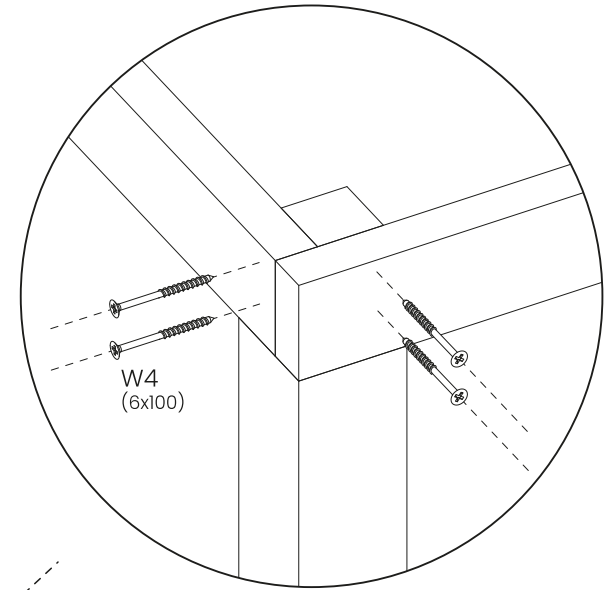
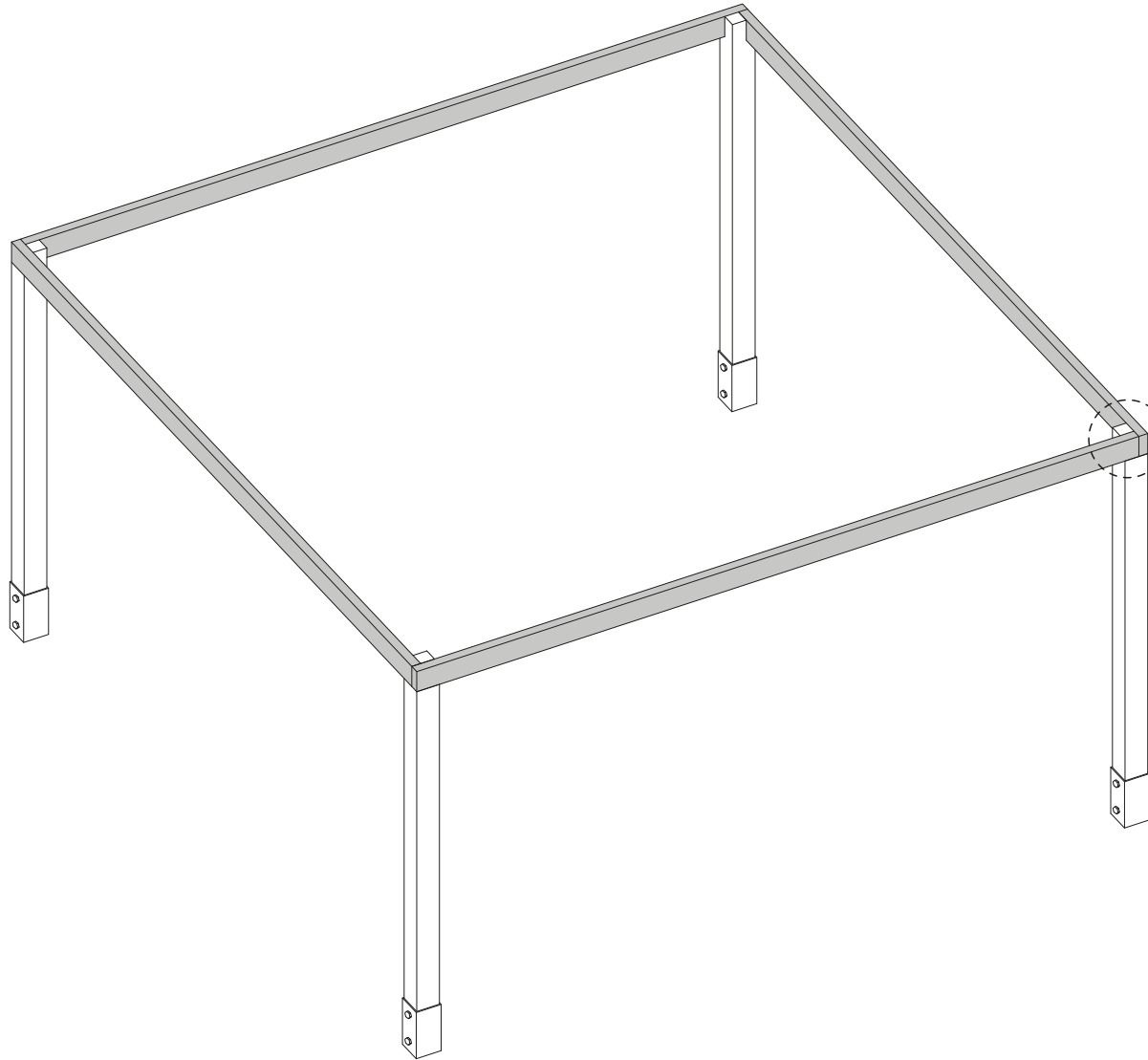
5



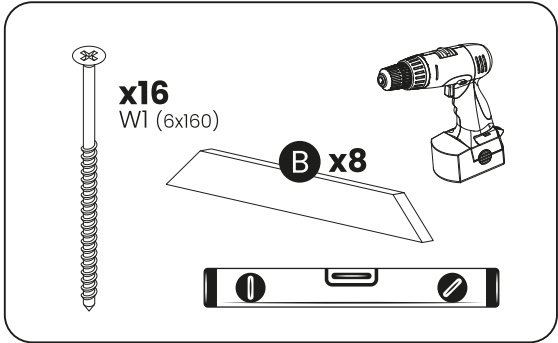
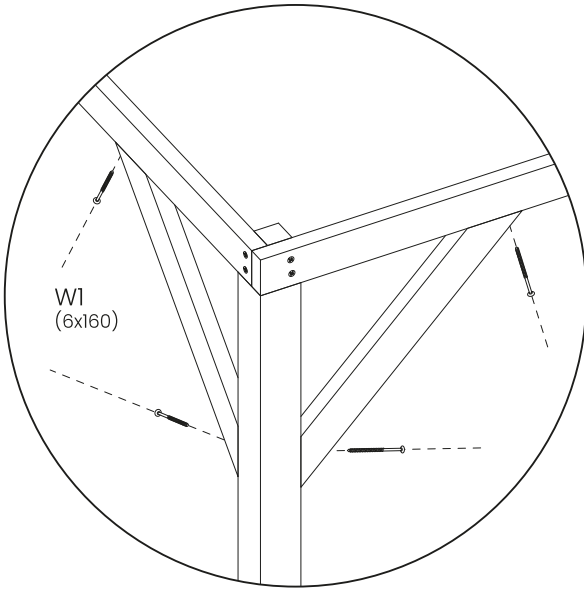
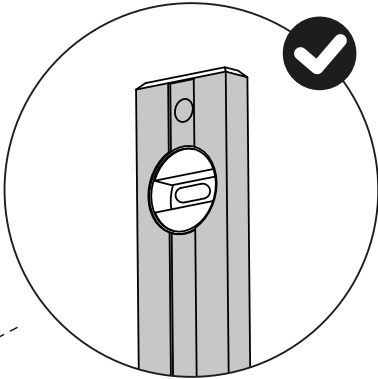
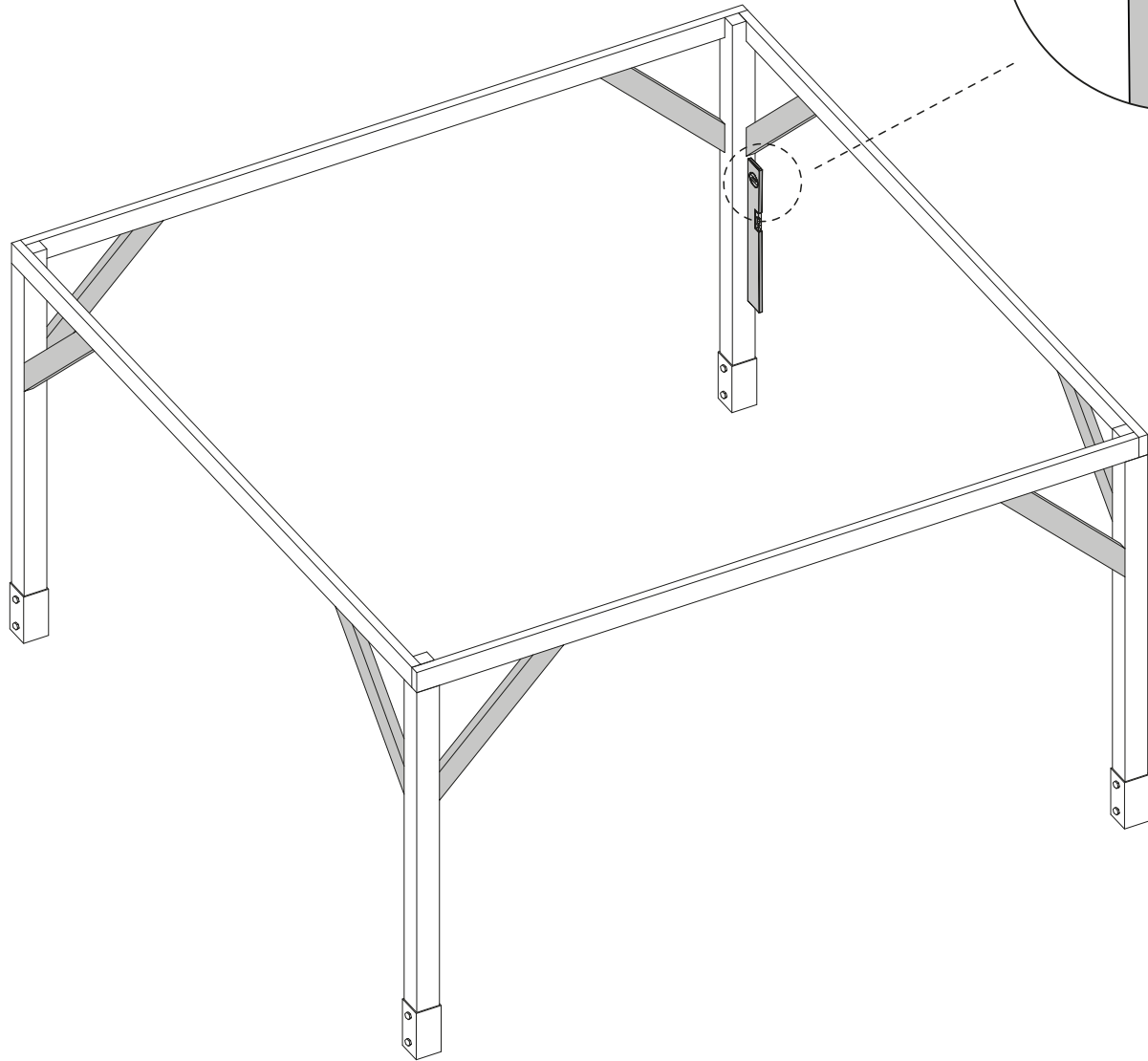
6



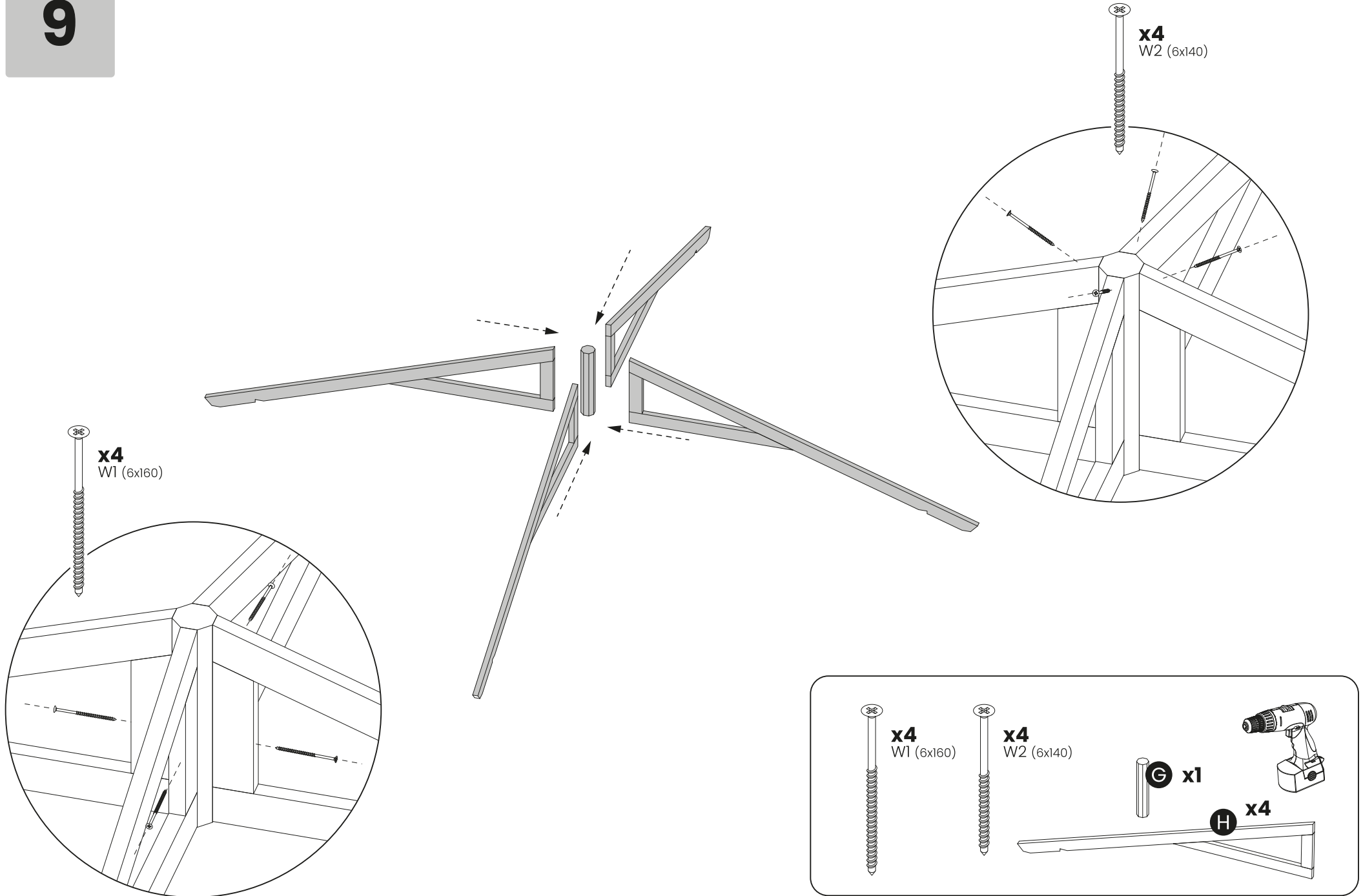
7

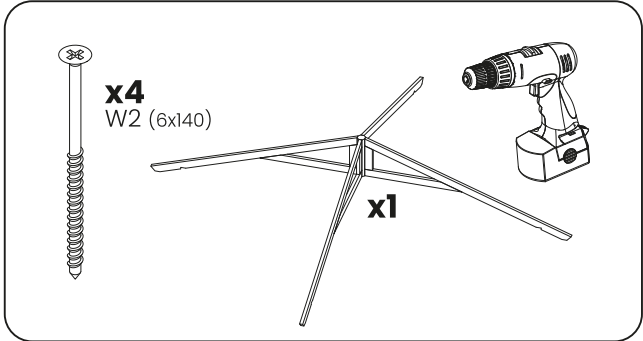
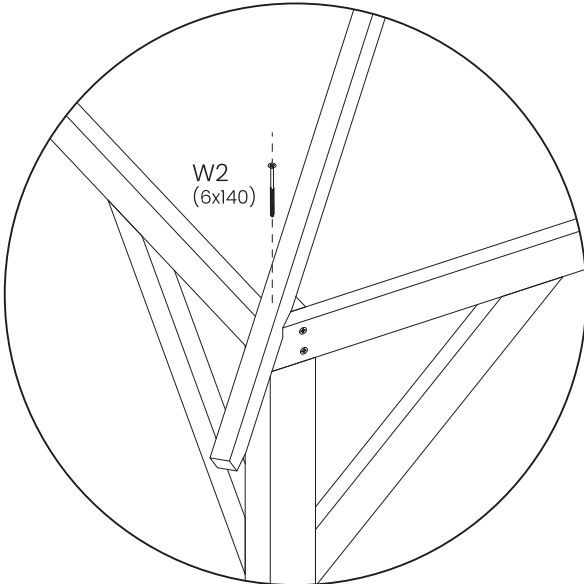
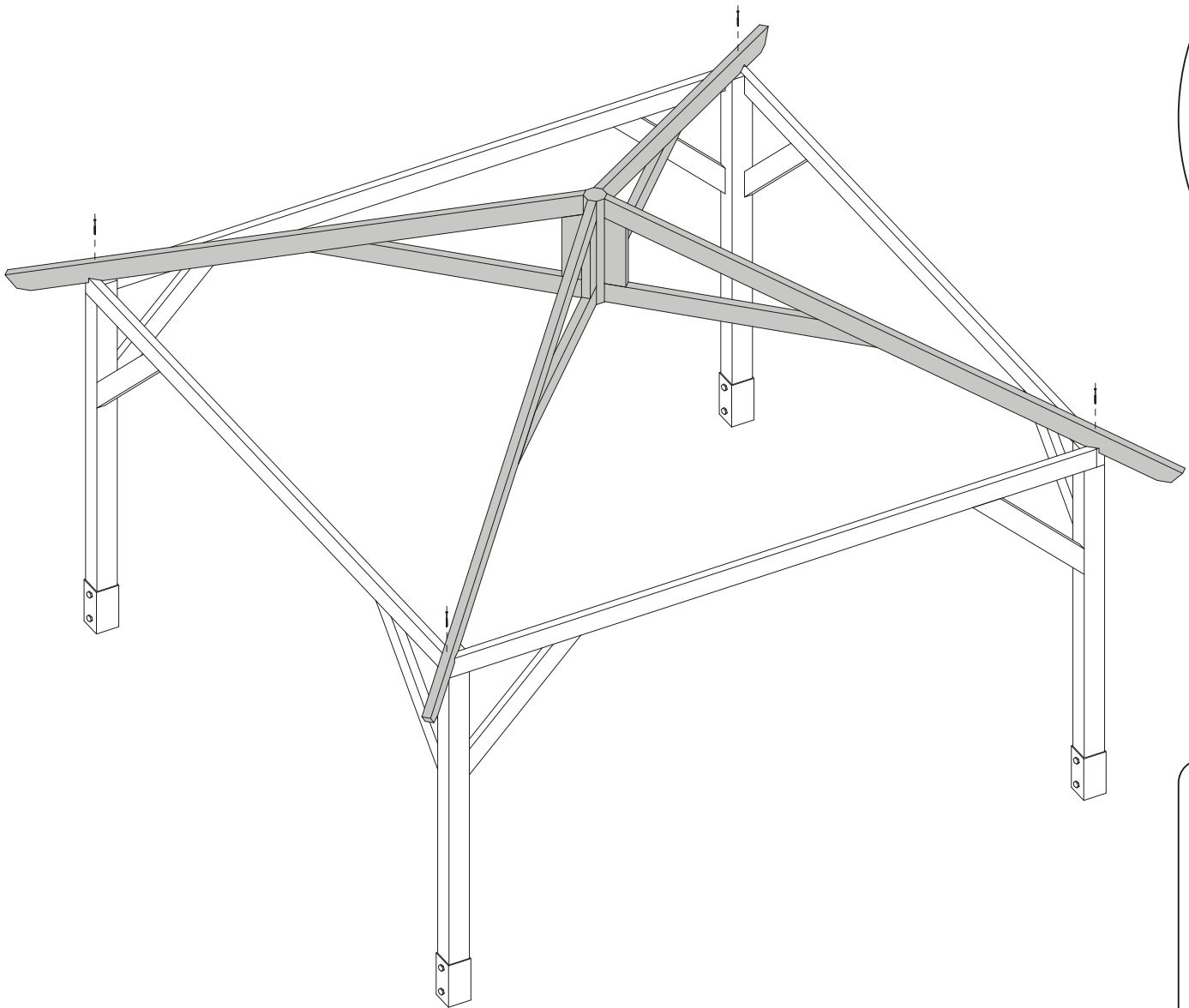


8

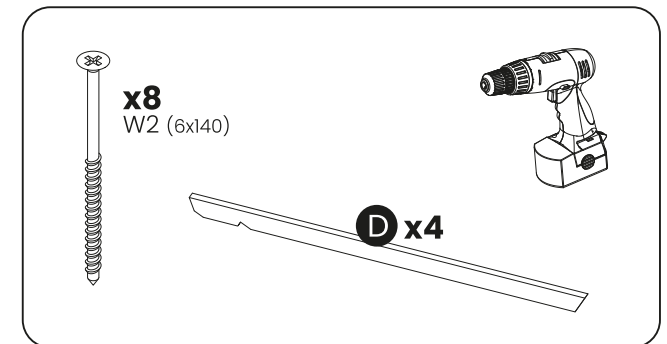
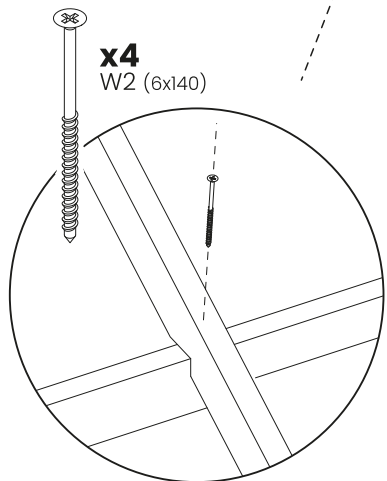
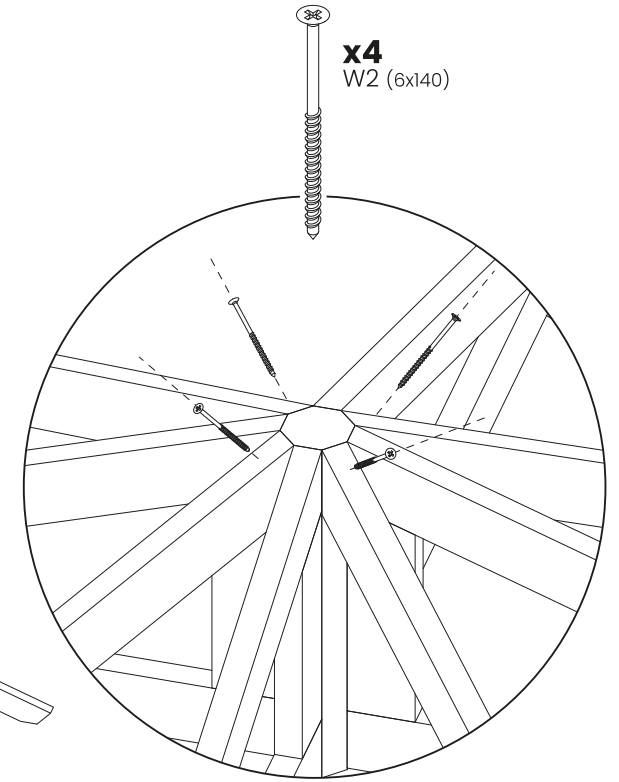
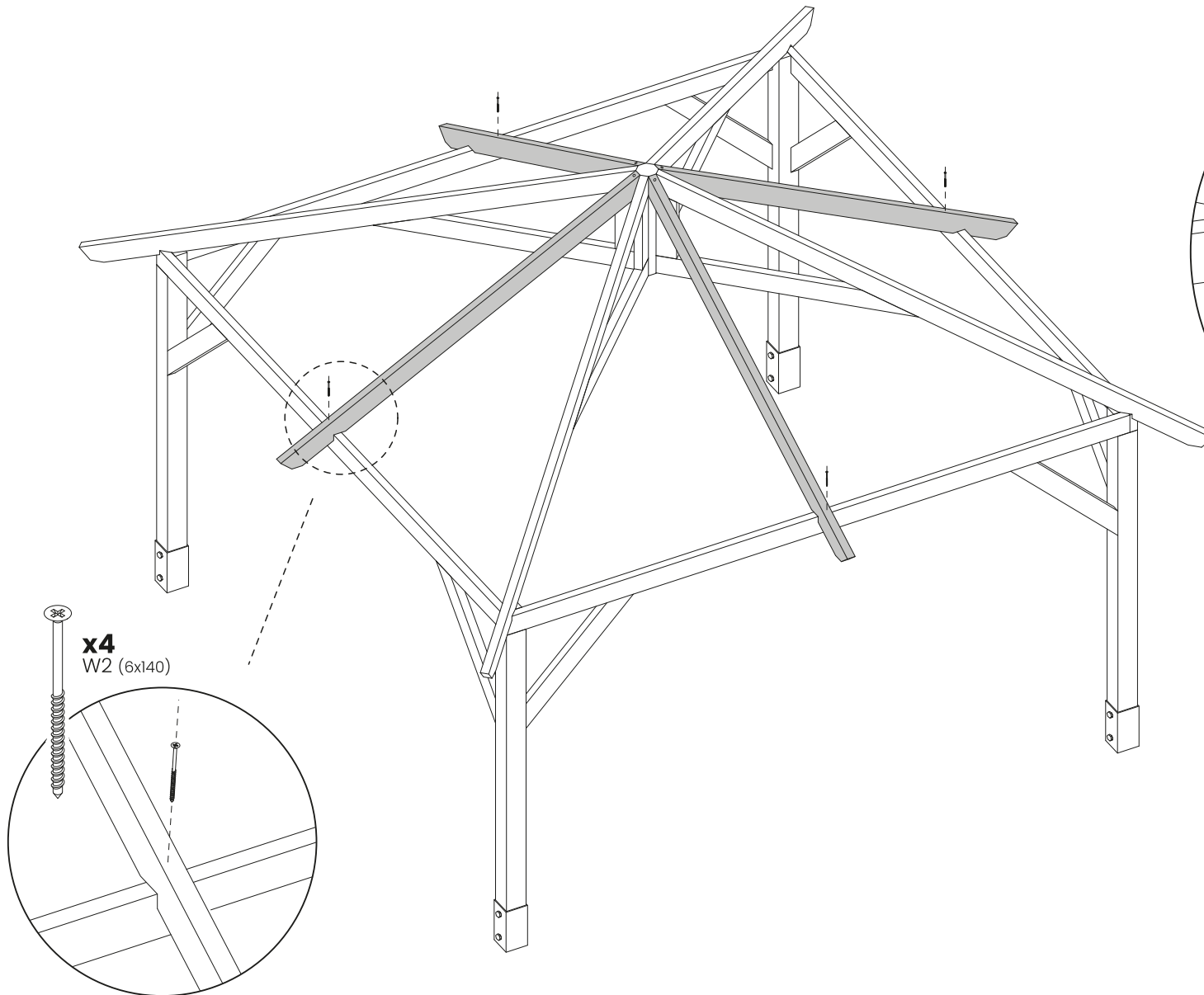


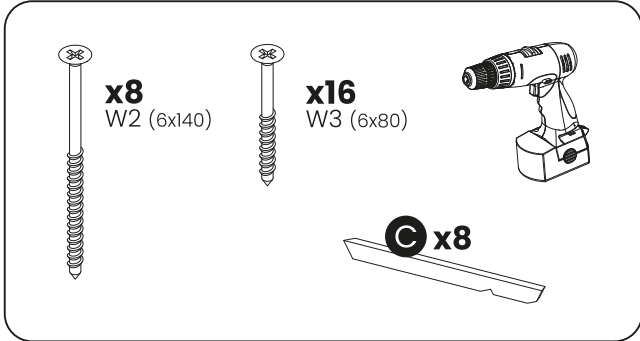
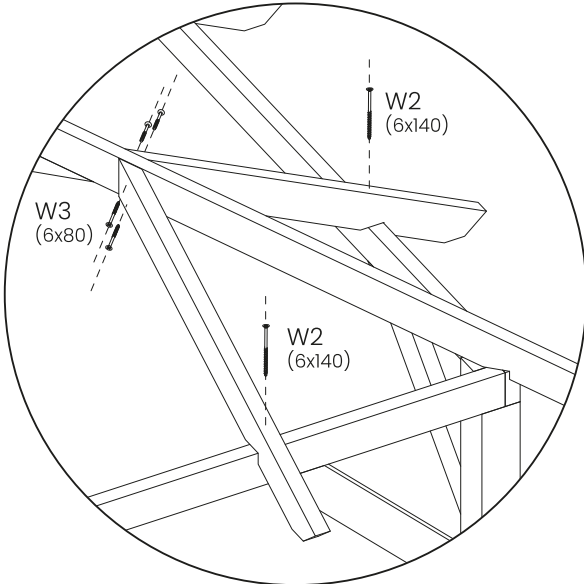
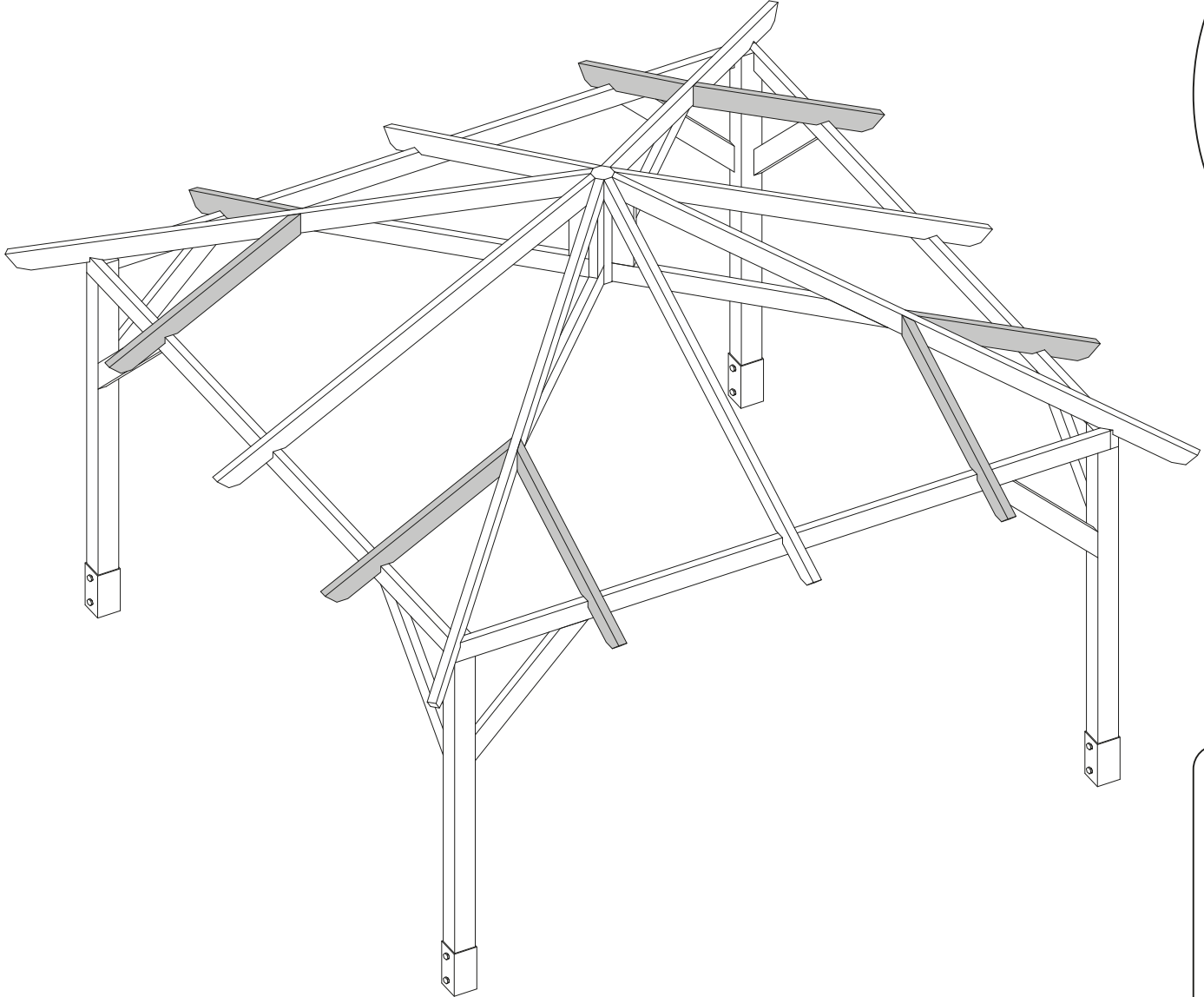
9



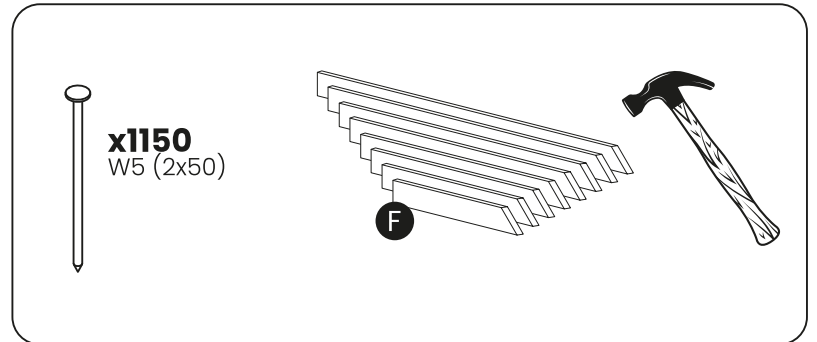
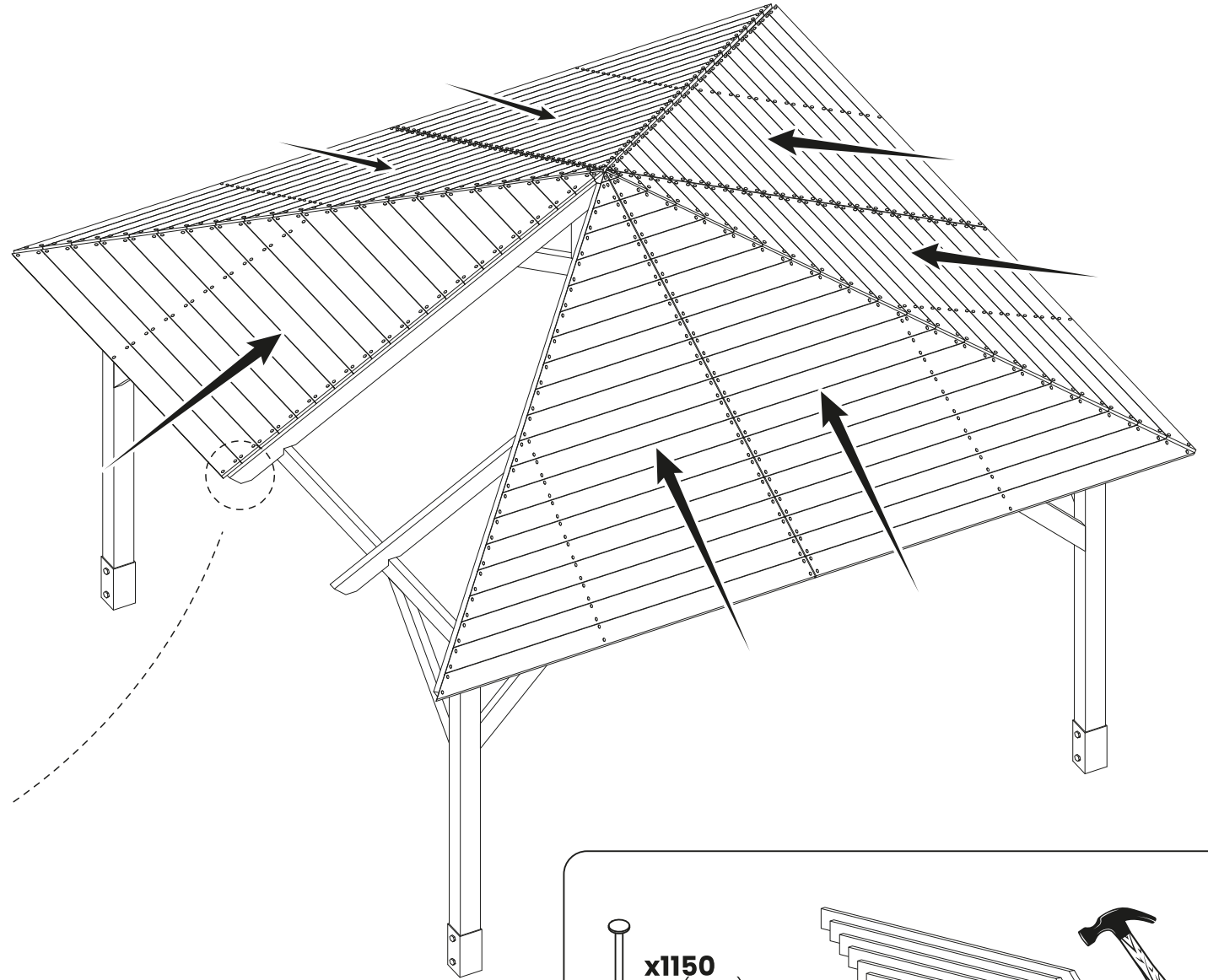
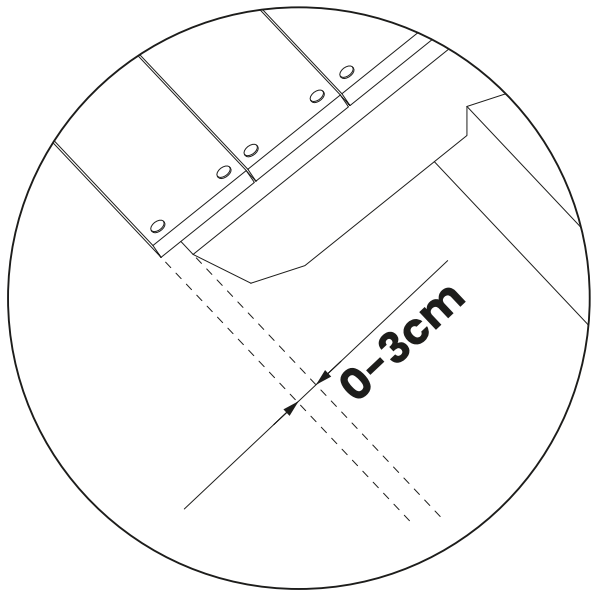
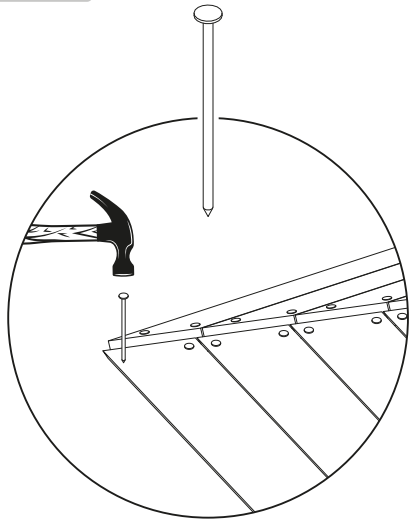


11





13



14

