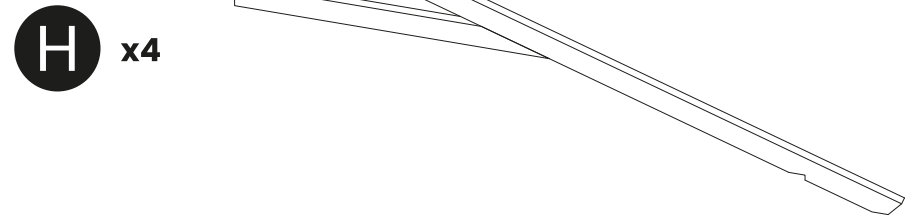
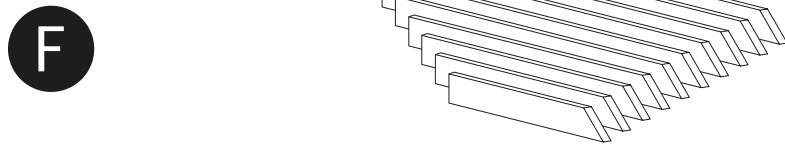
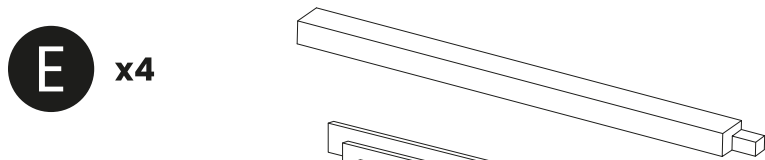
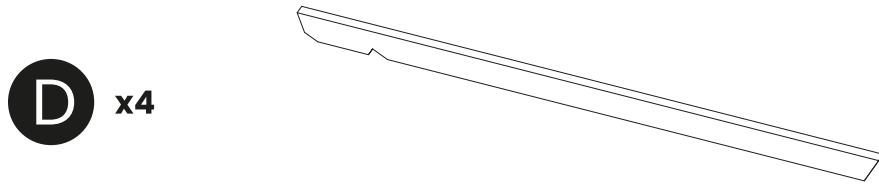
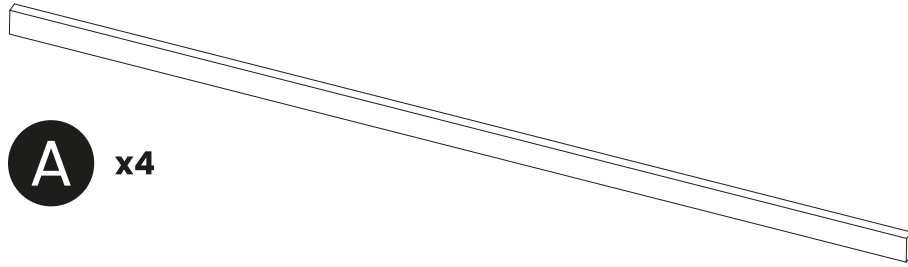


265x265cm



x20
W1 (6x160)



x16
W2 (6x140)



x16
W4 (6x100)



x1150
W5 (2x50)





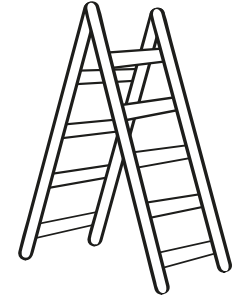
x2



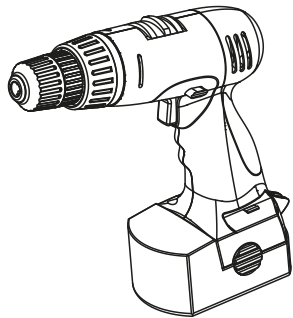
x1



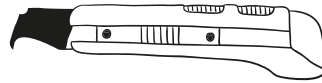
x1



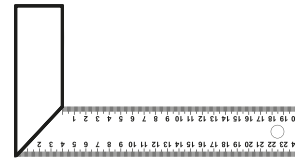
x2



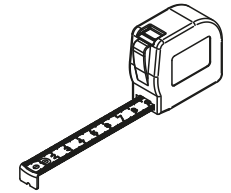
x1



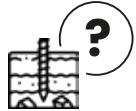
x2



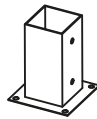
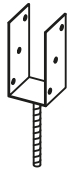
x1



x1

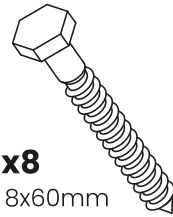


x4



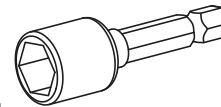
x8

8x60mm

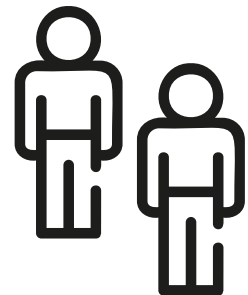
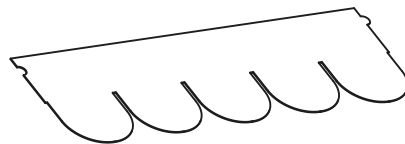


x1

●13

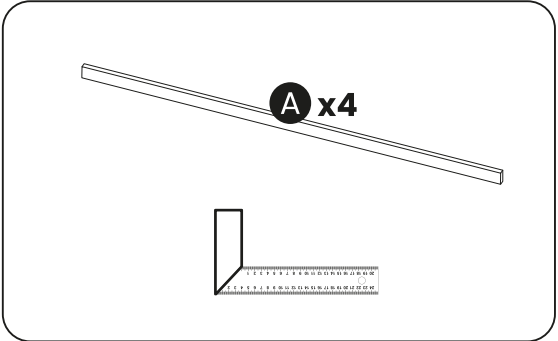
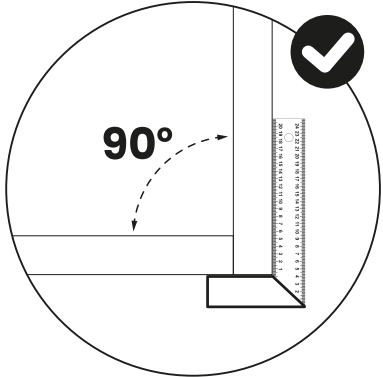
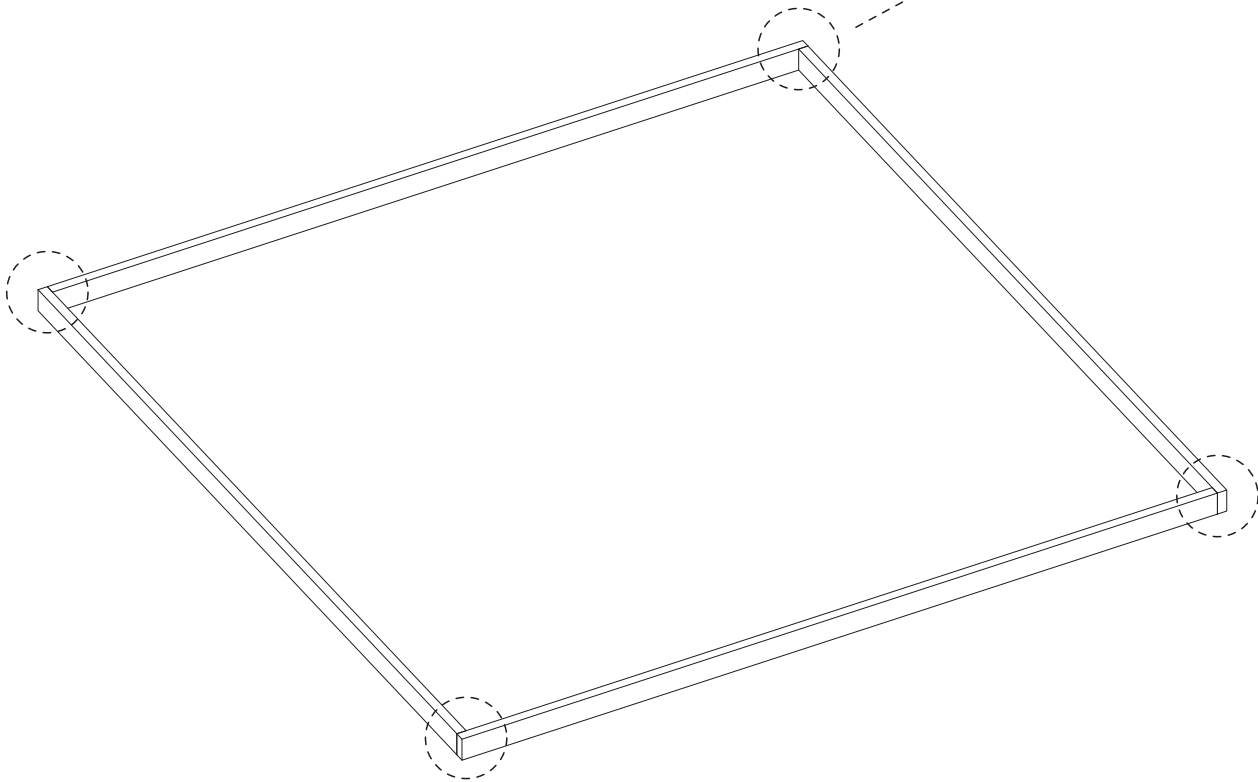


x1200
9x20mm

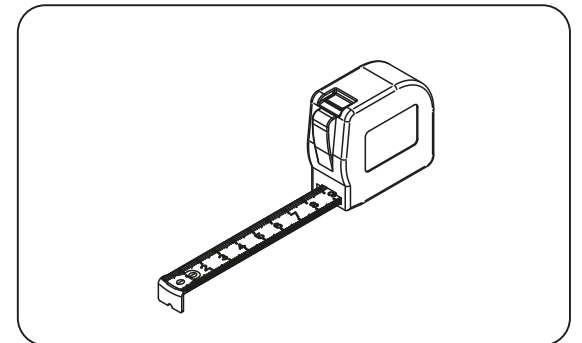
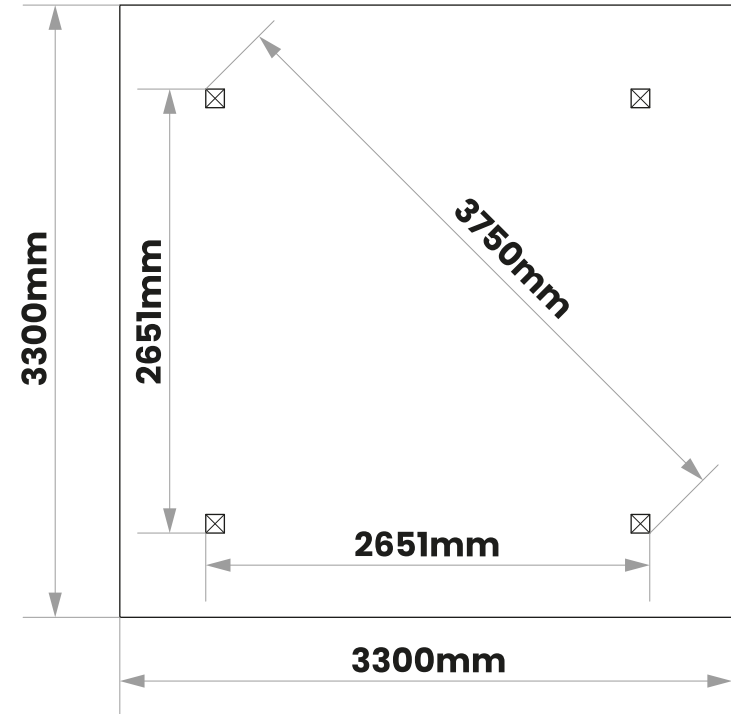
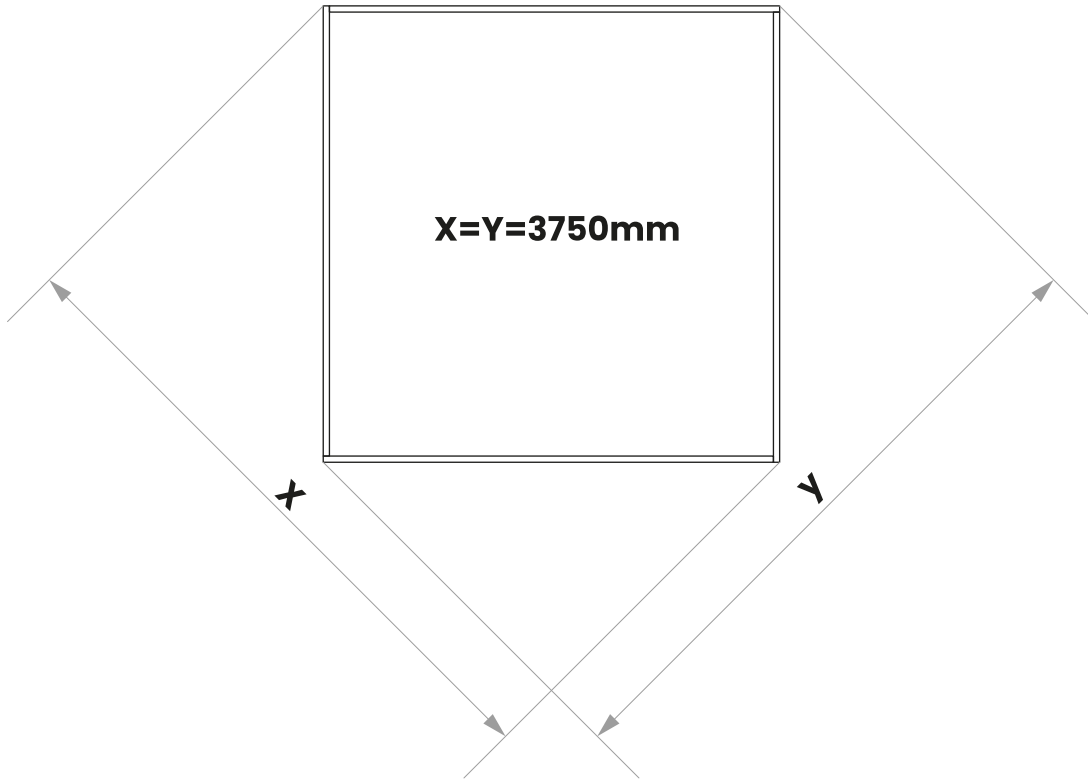


x2

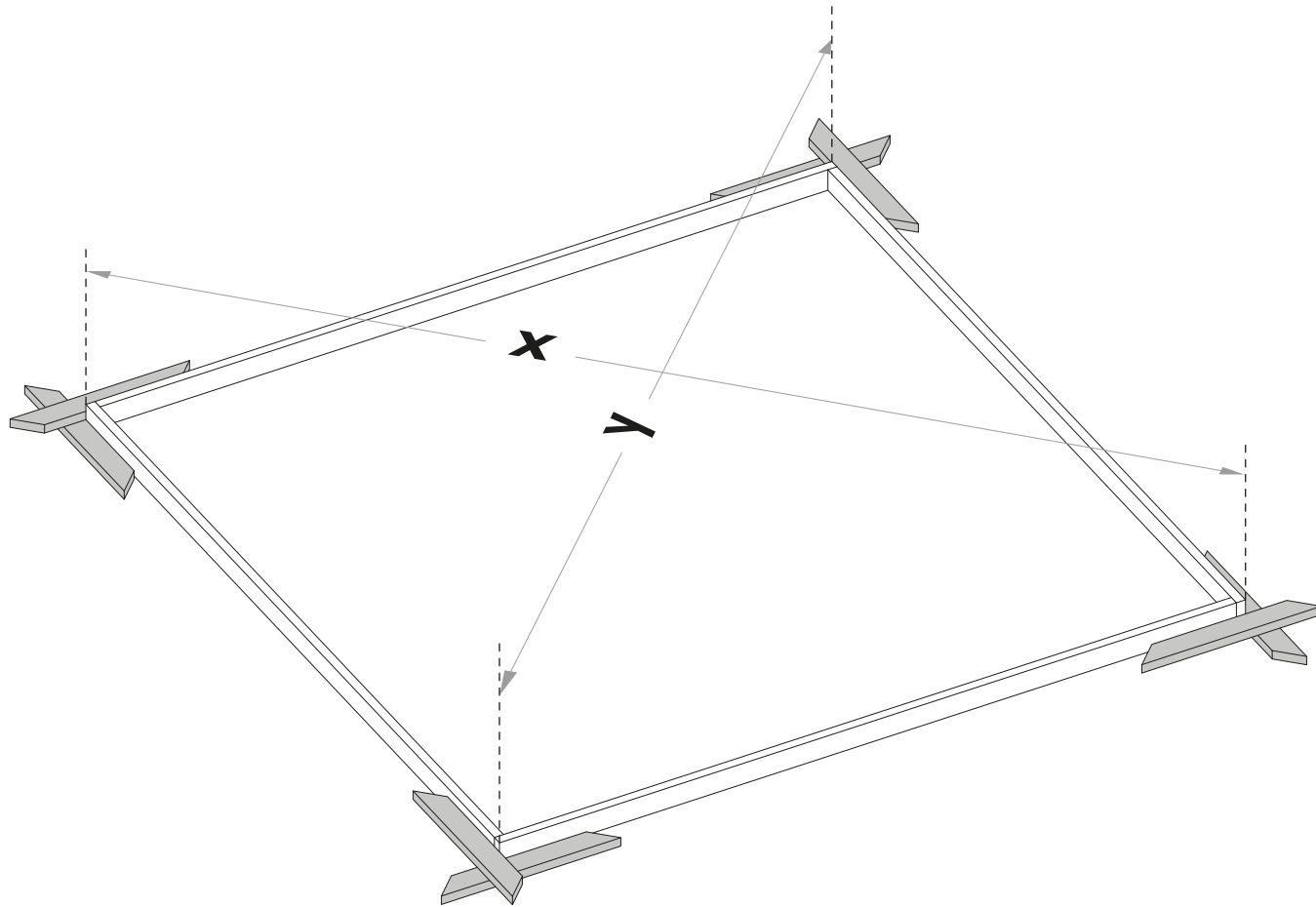
1



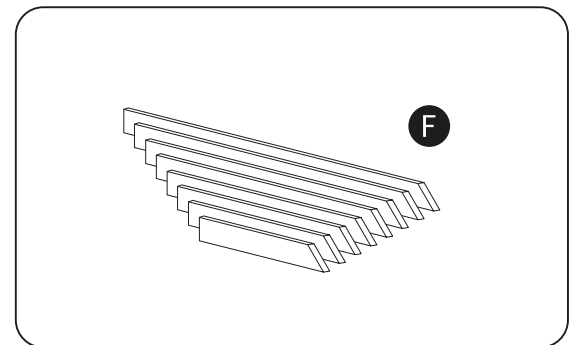
2



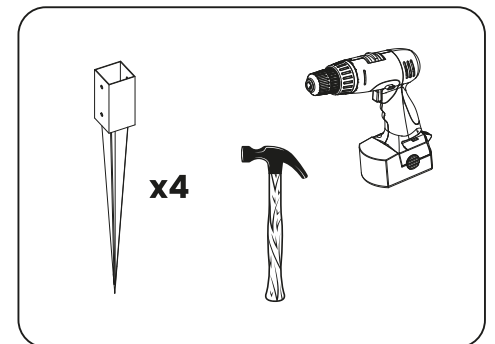
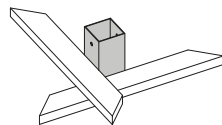
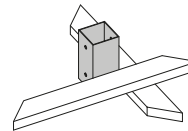
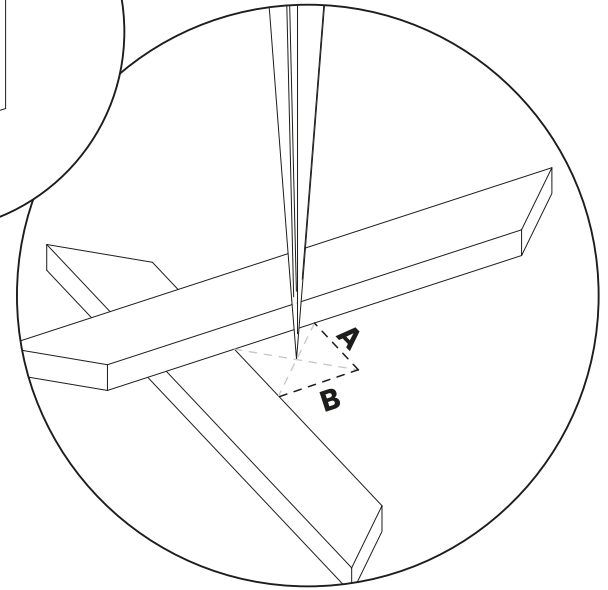
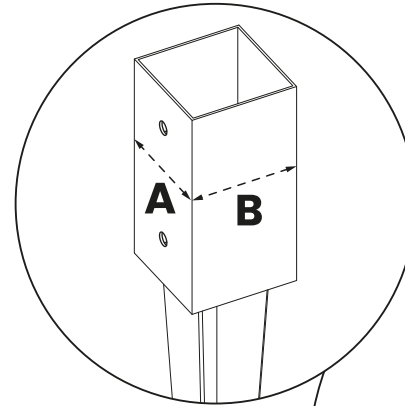
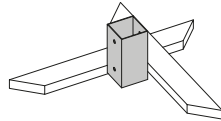
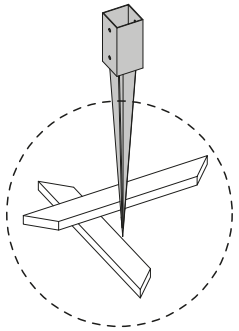
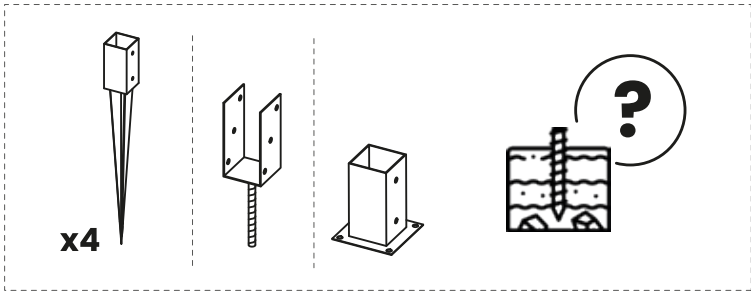
3



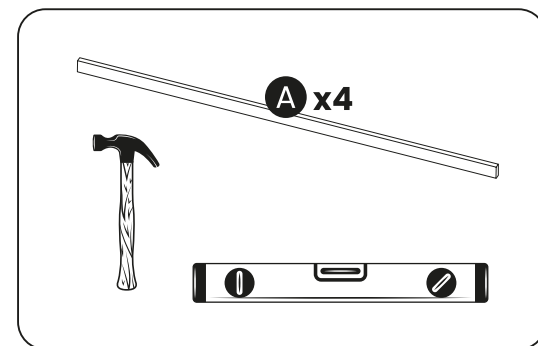
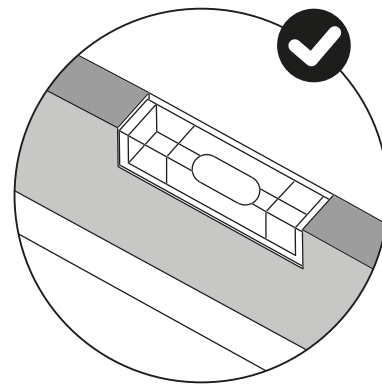
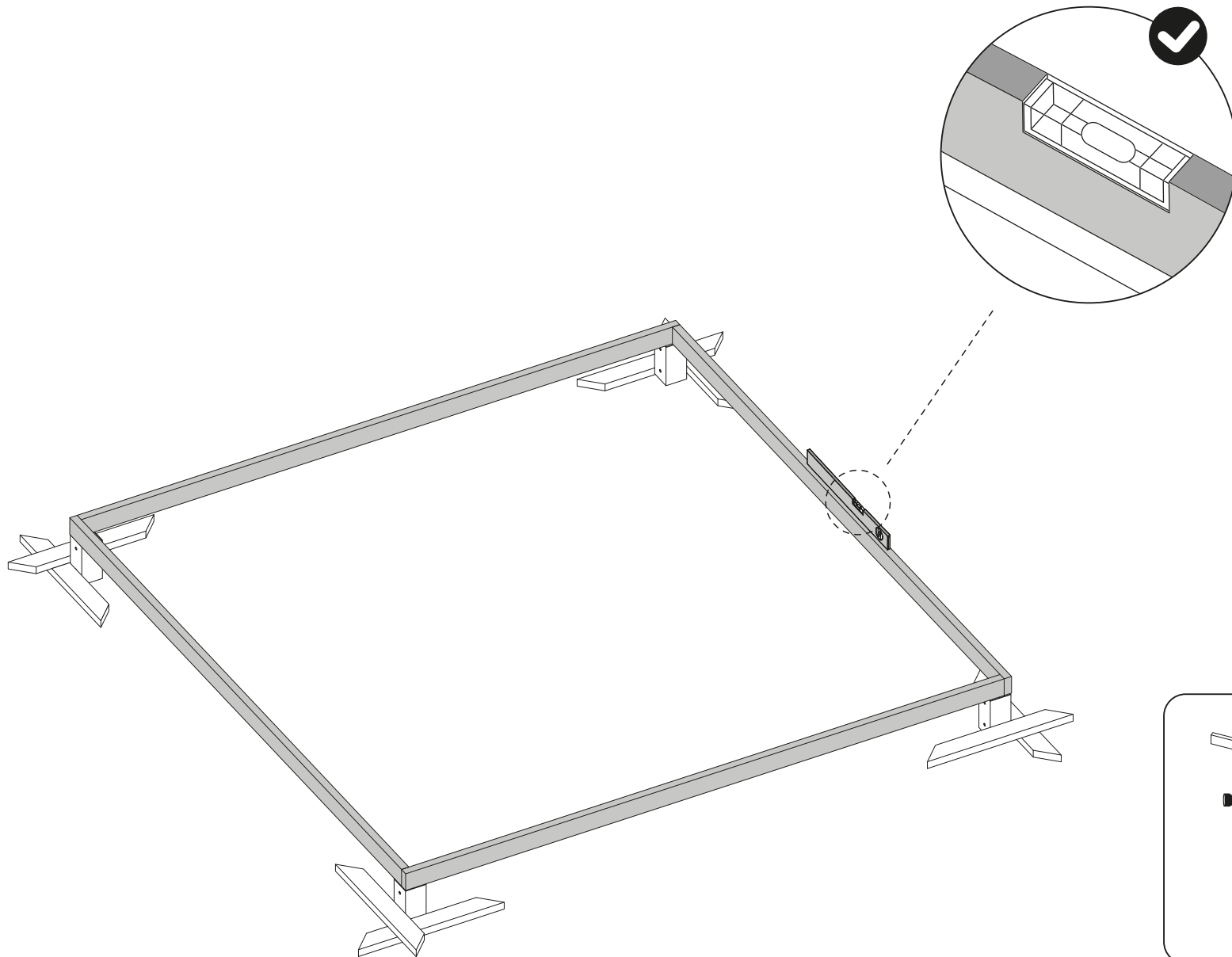
X=Y=3750mm



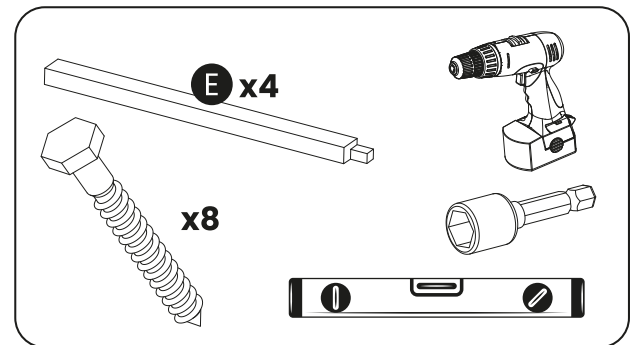
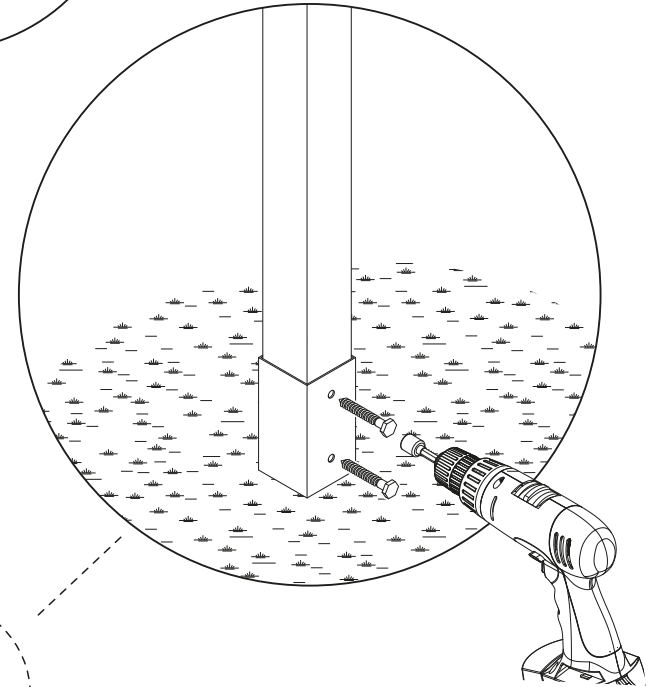
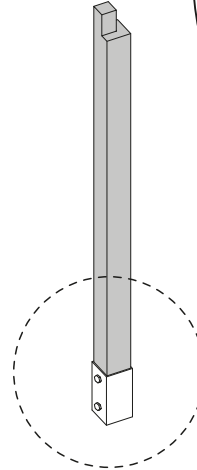
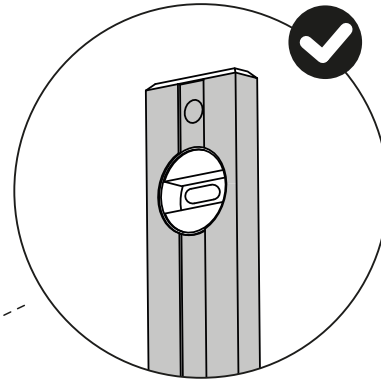
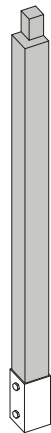
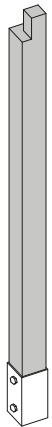
4



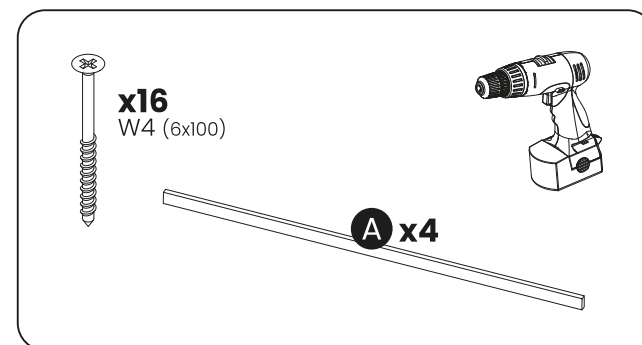
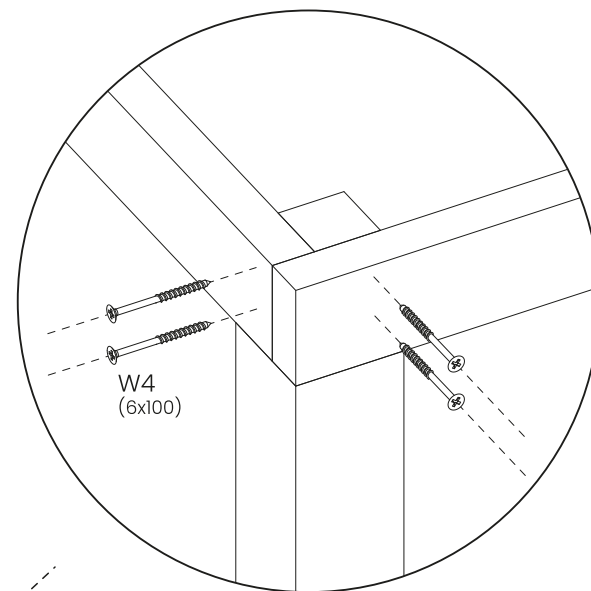
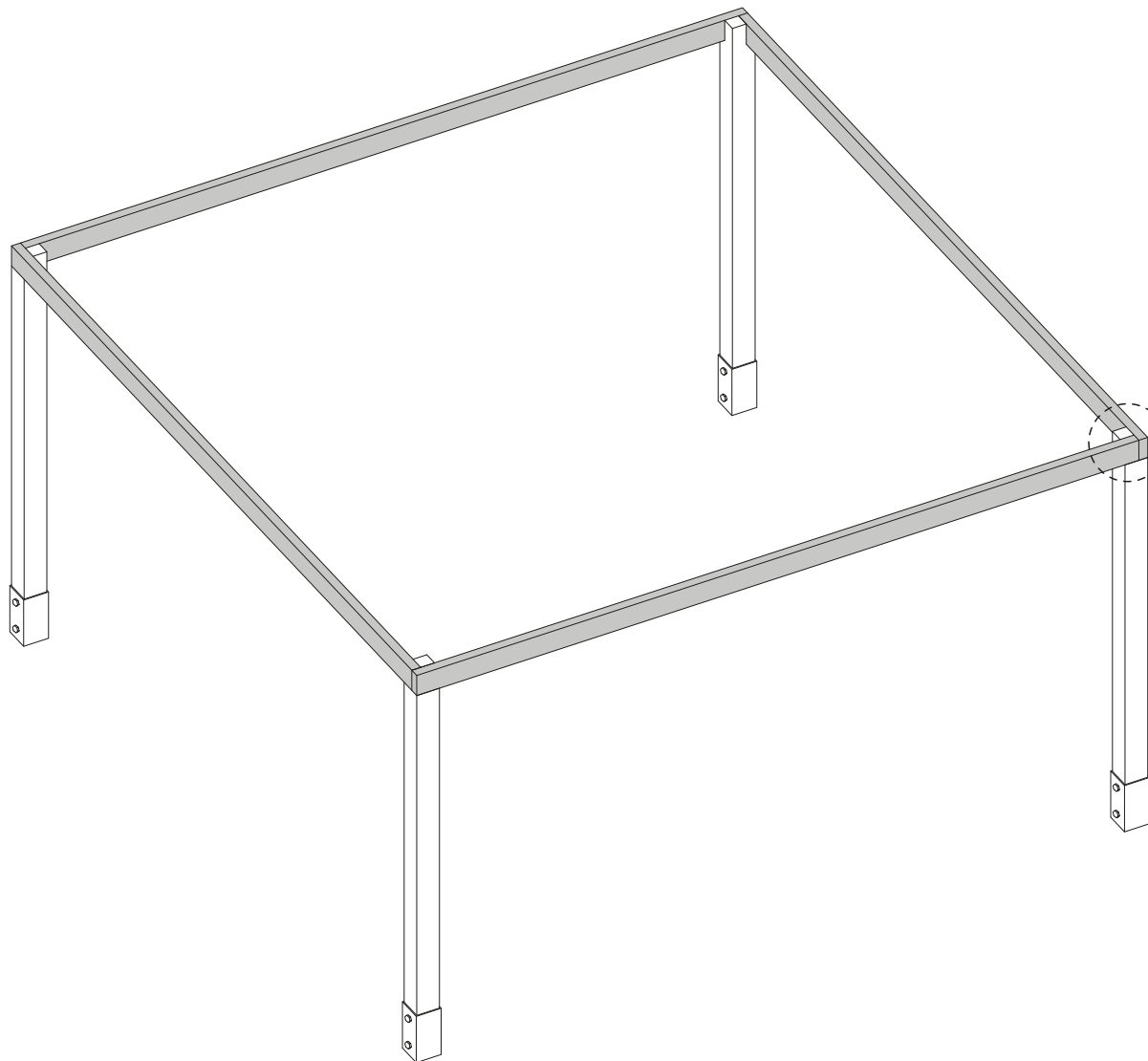
5



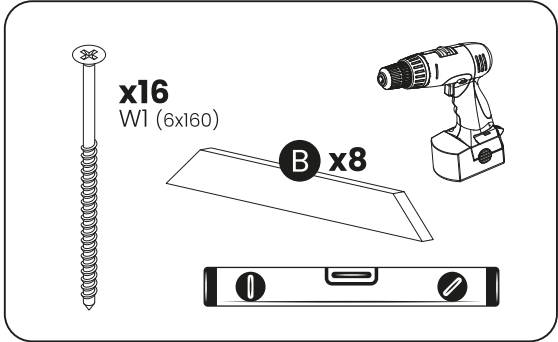
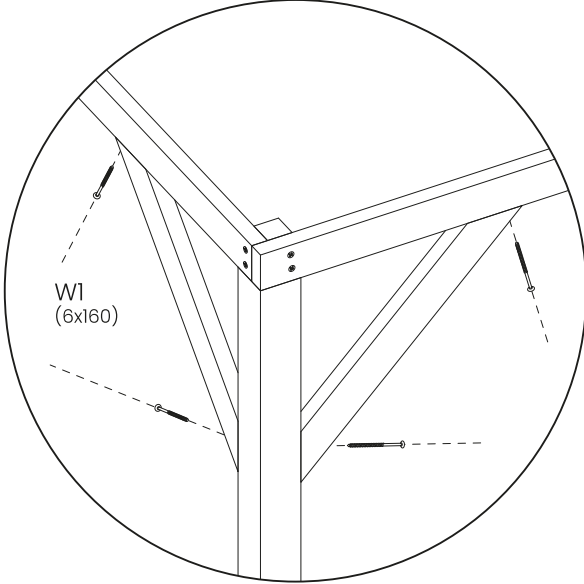
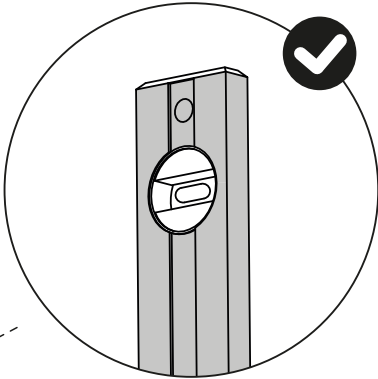
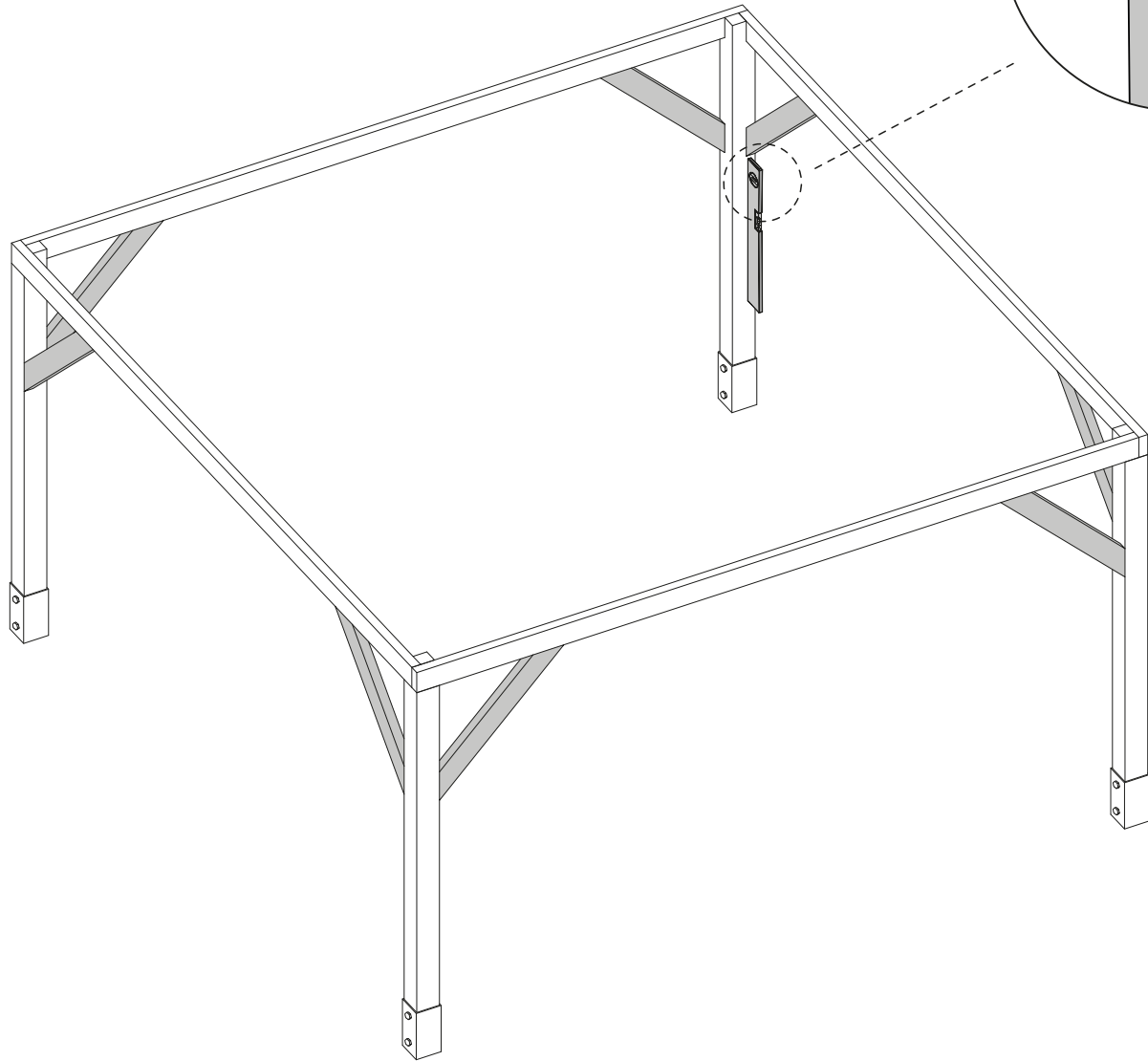
6



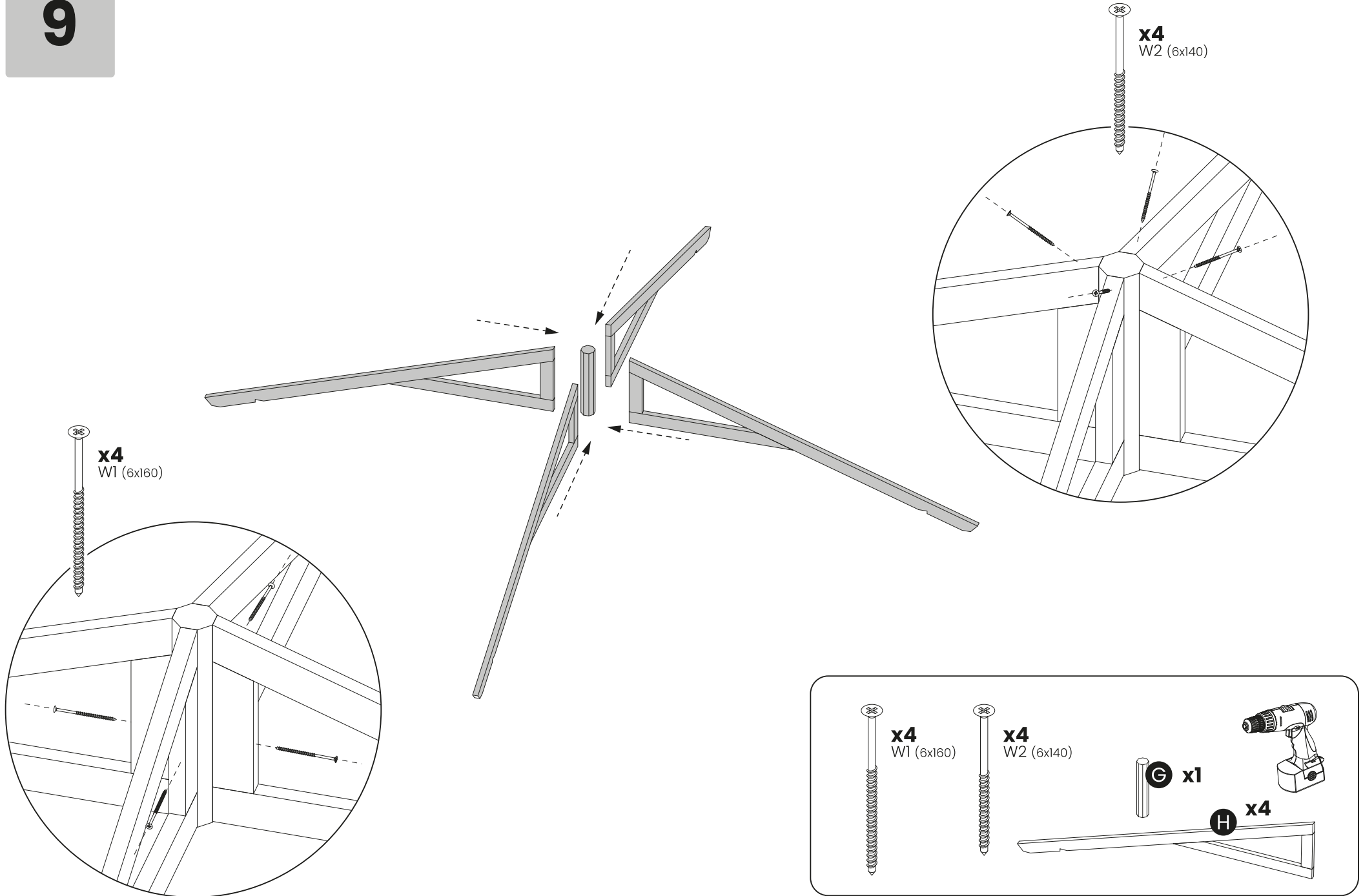
7

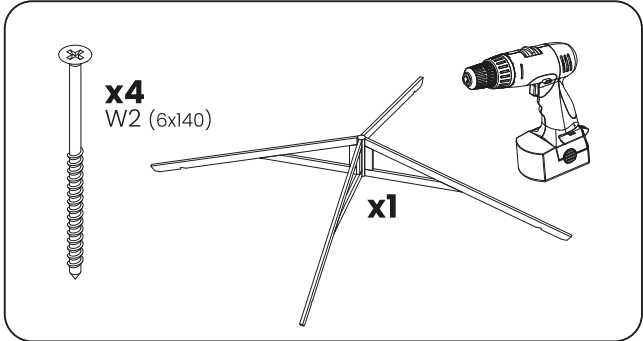
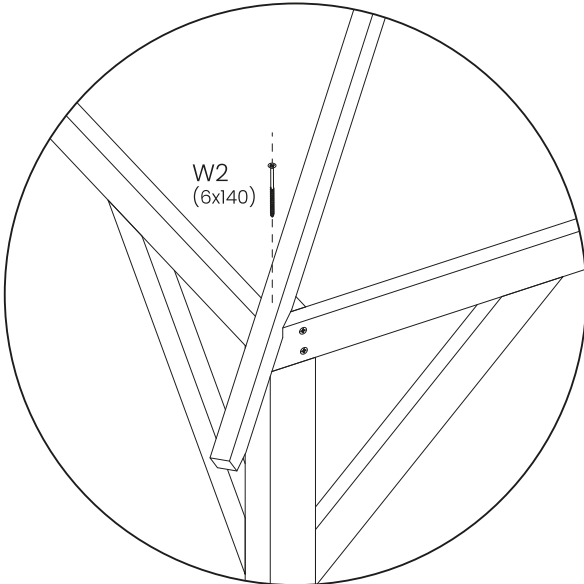
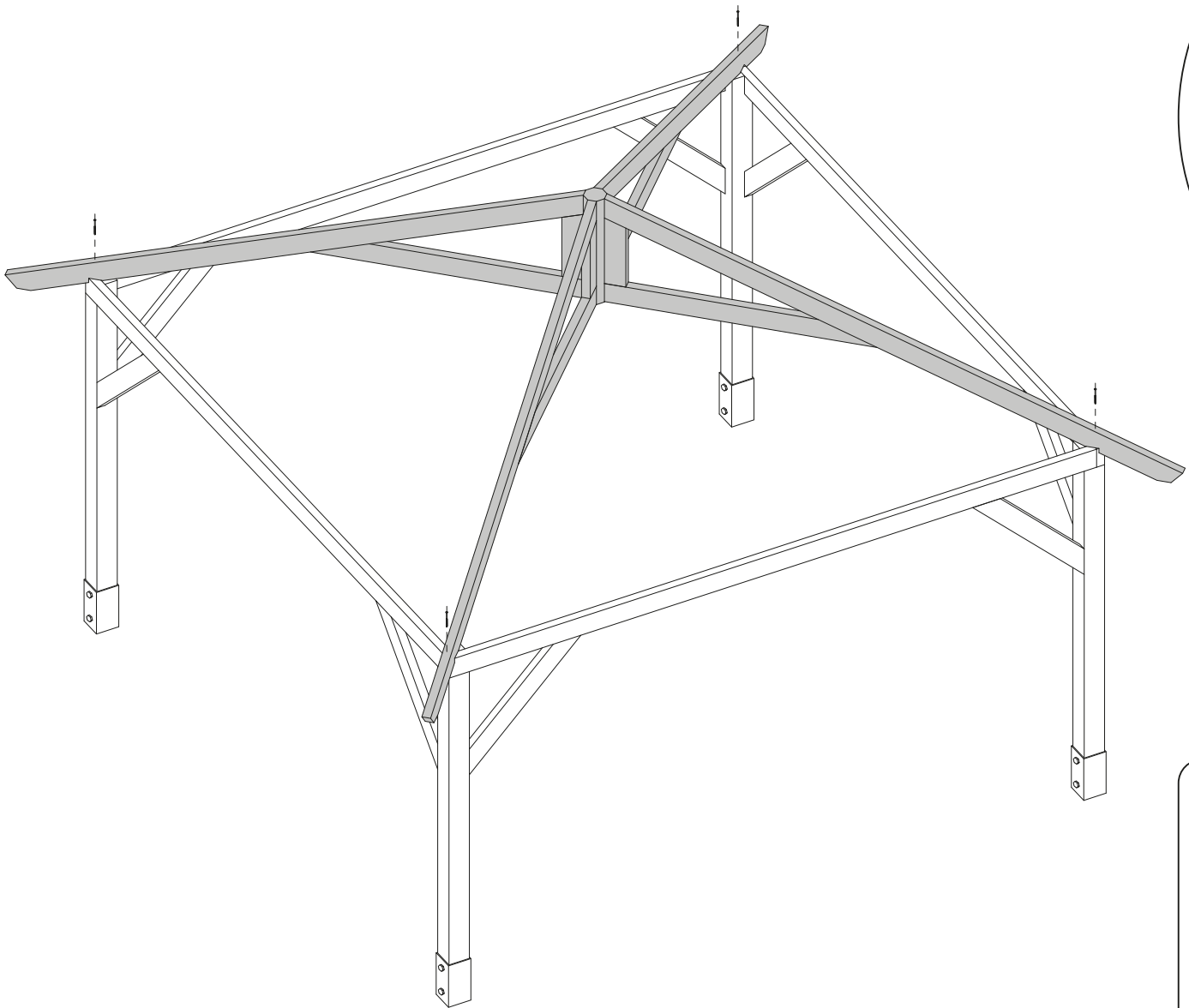


8

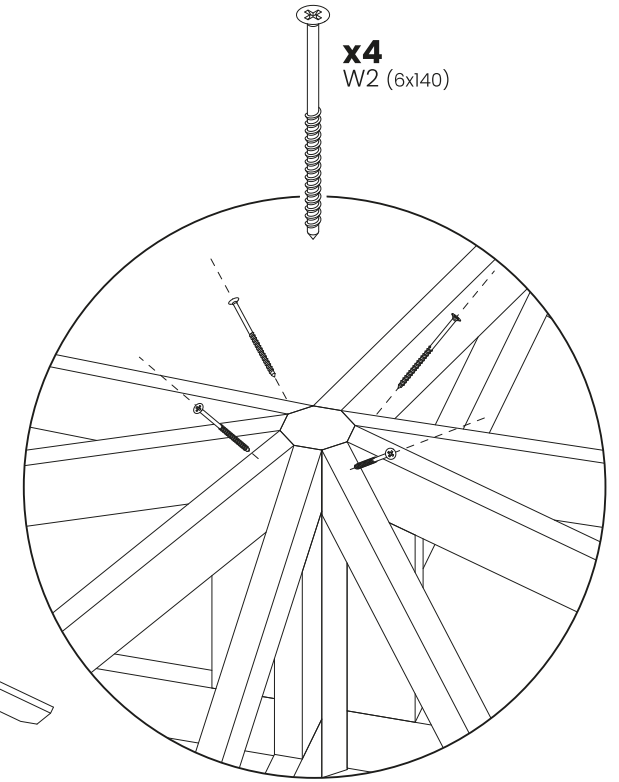
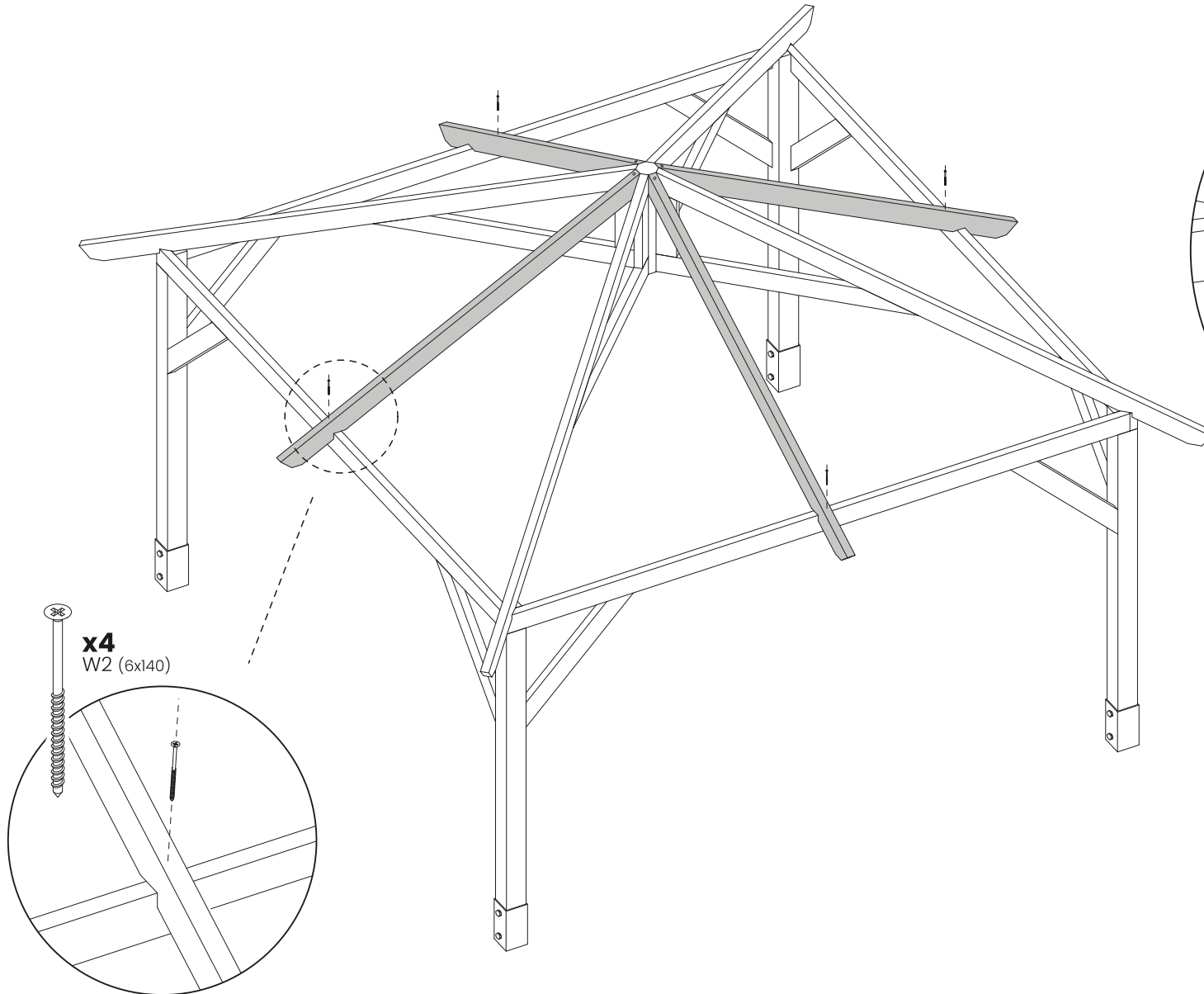


9

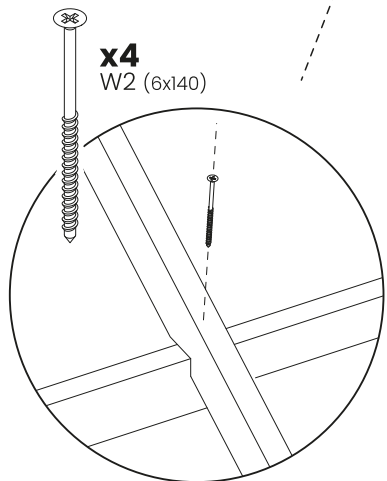




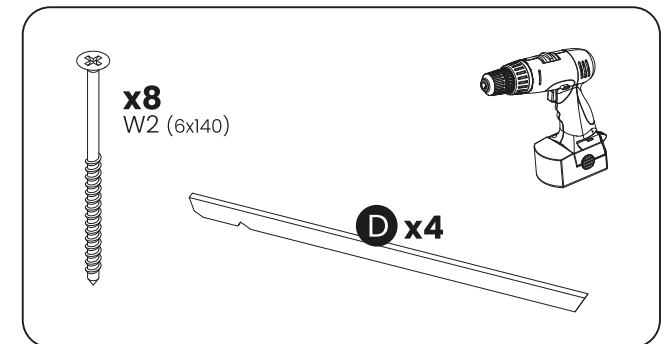
11



x4
W2 (6x140)



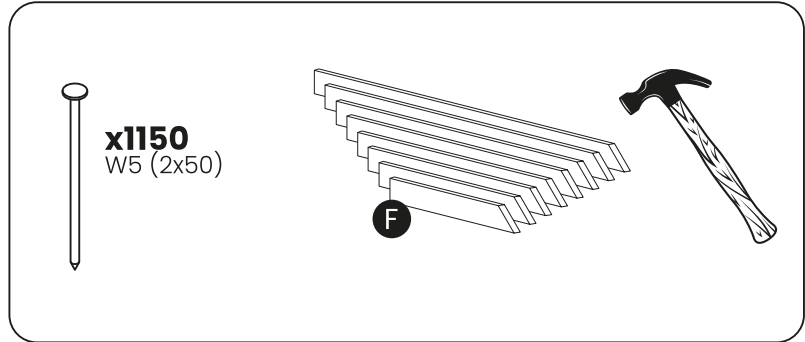
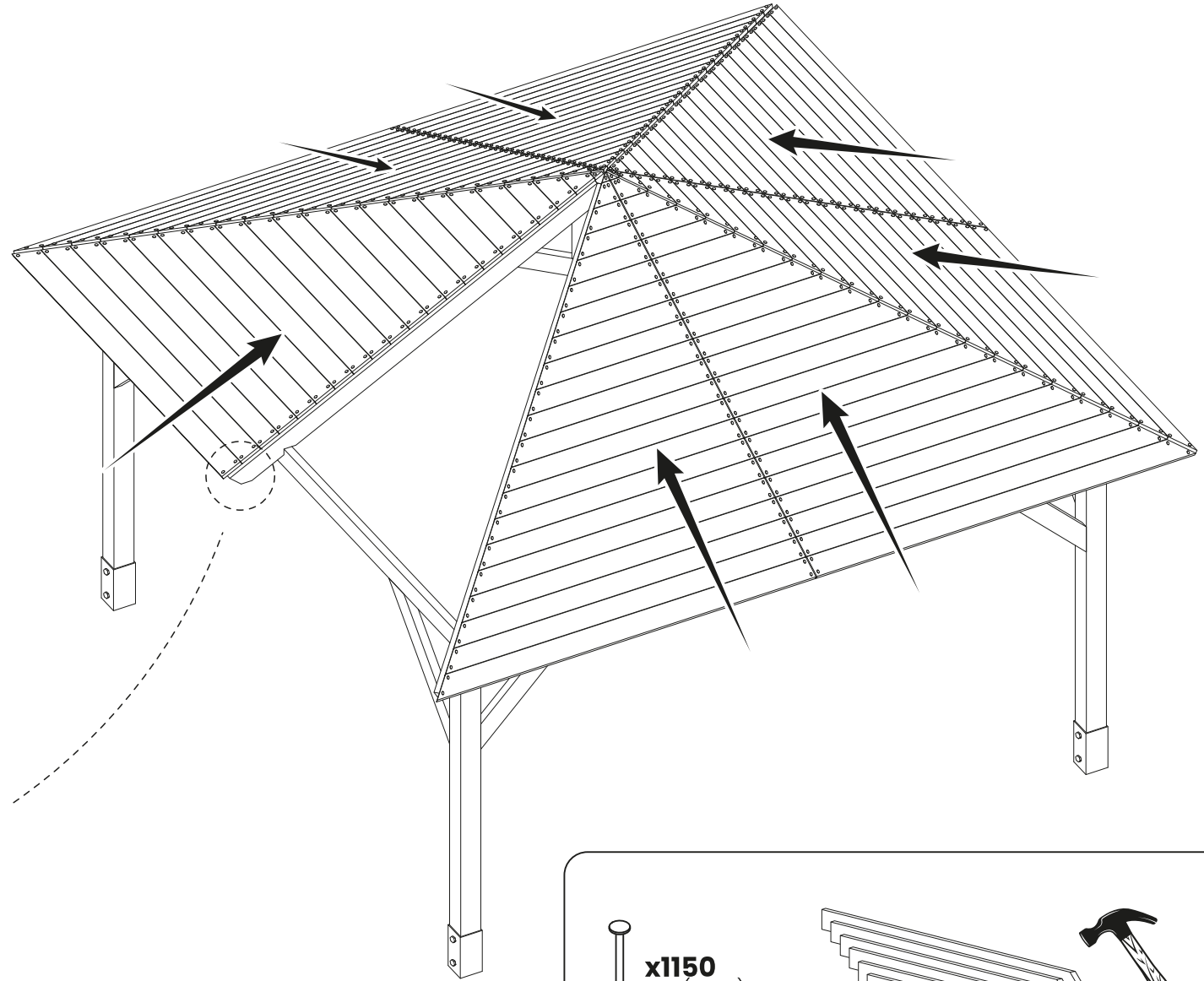
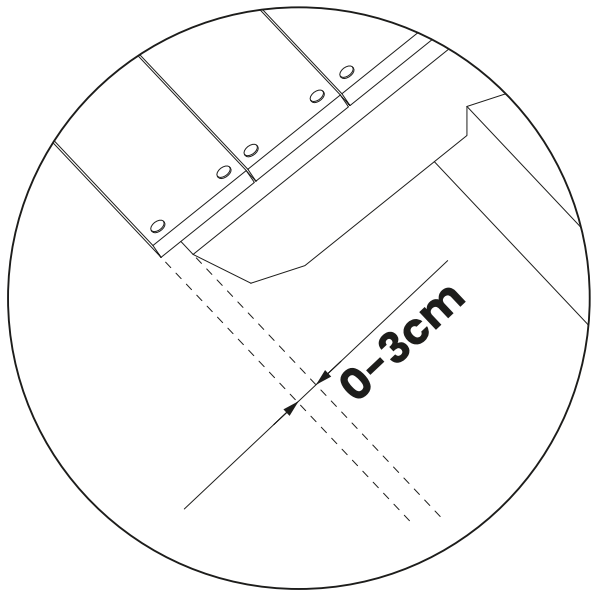
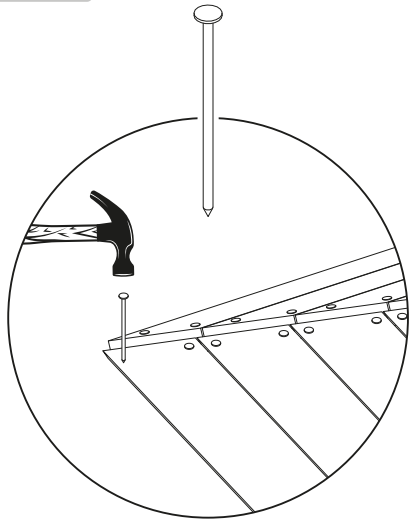
x4
W2 (6x140)



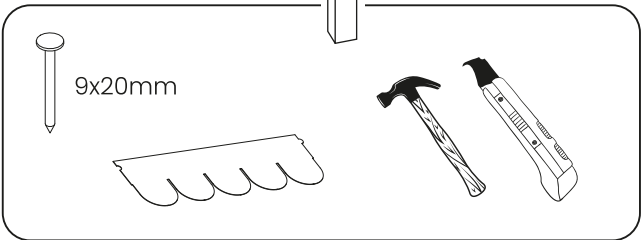
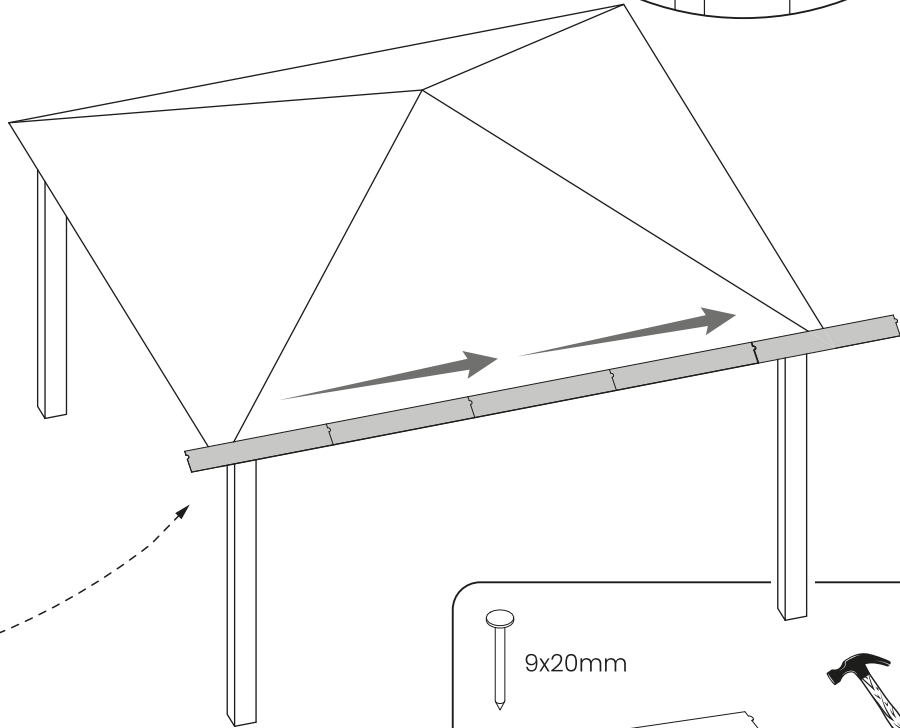
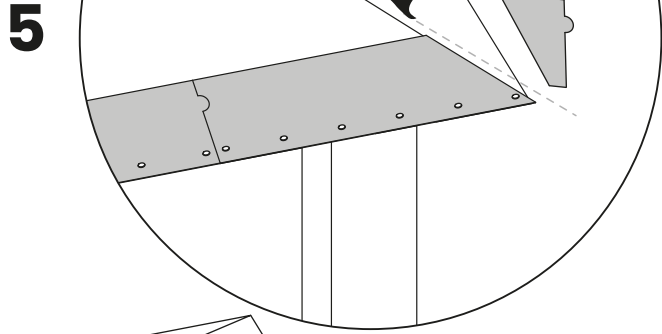
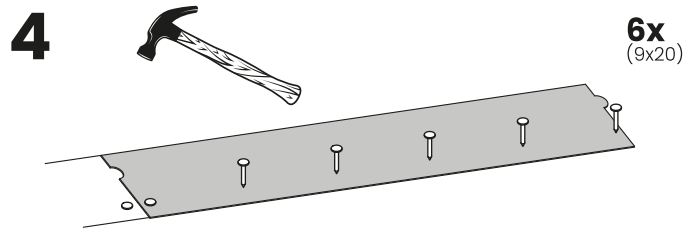
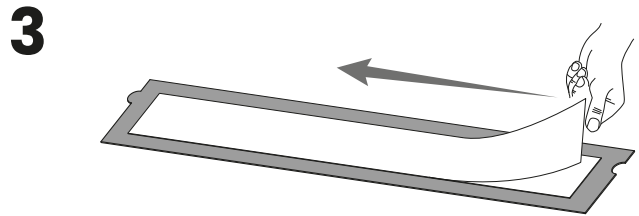
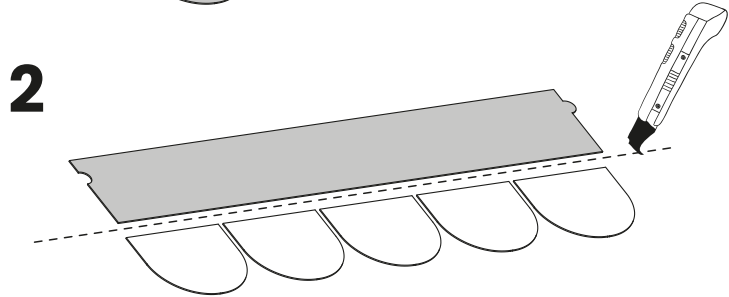
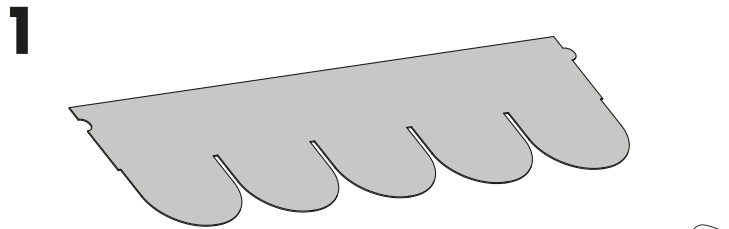
x8
W2 (6x140)

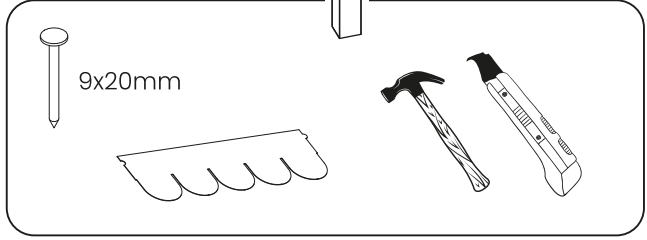
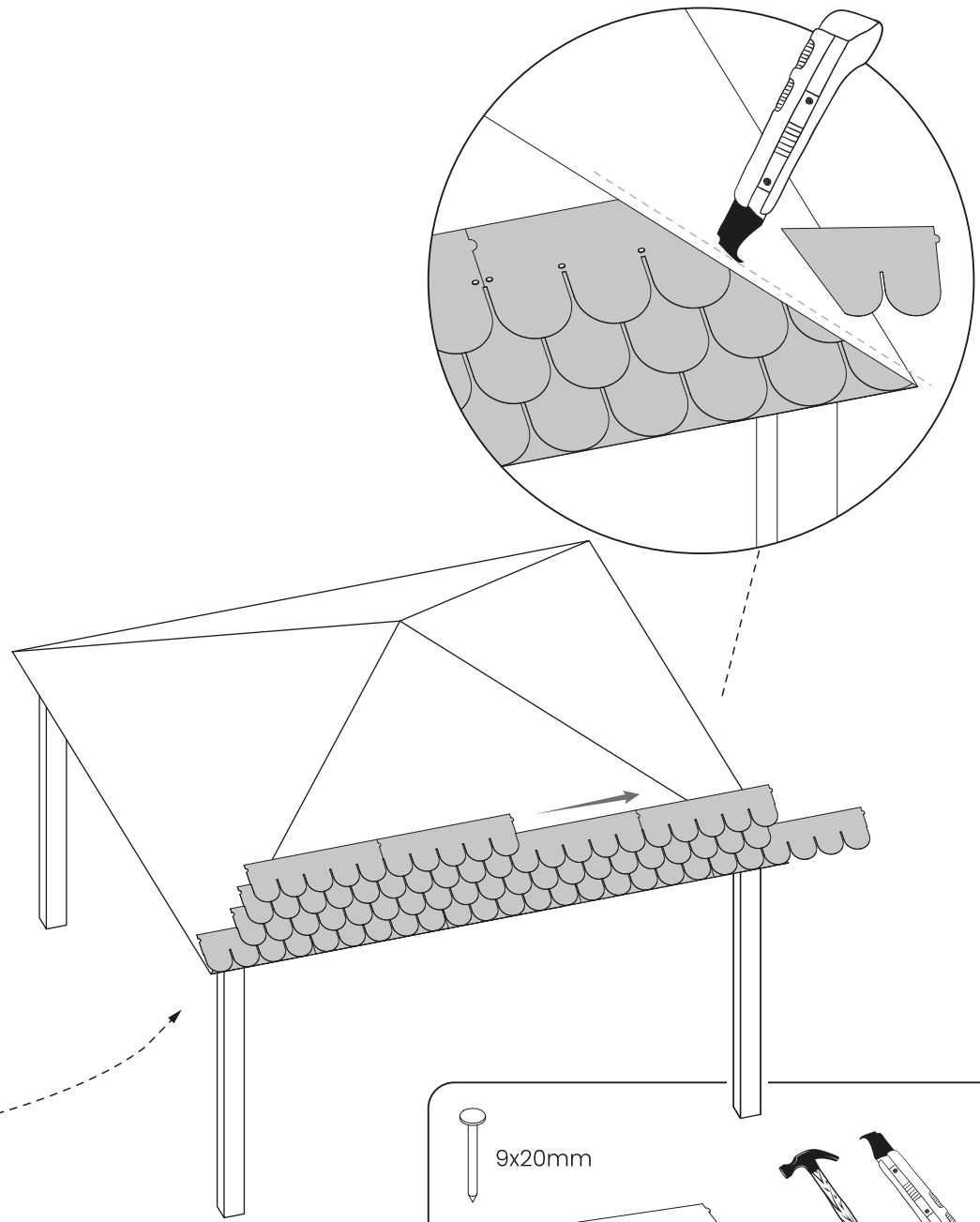
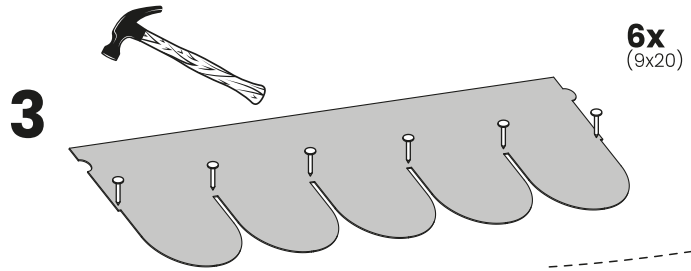
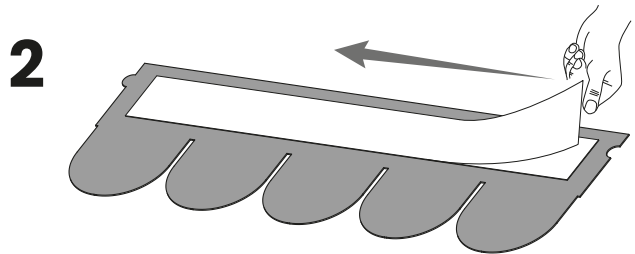
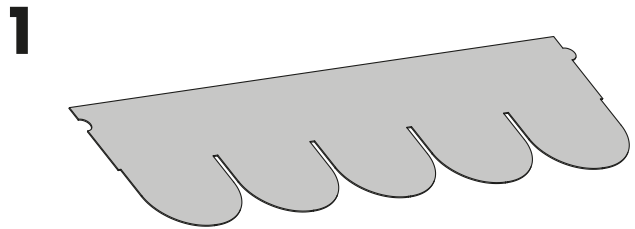
D x4

12

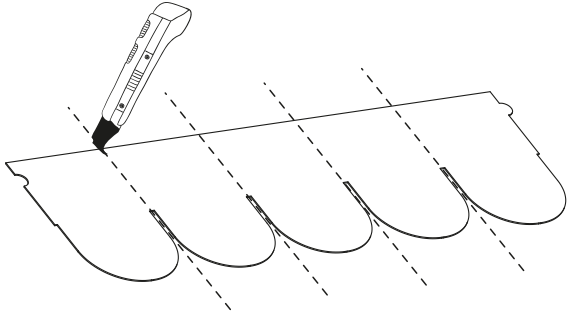


13

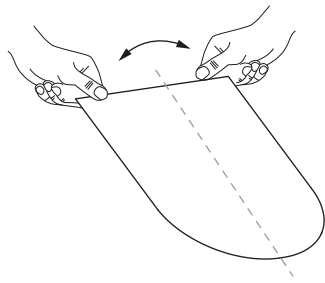




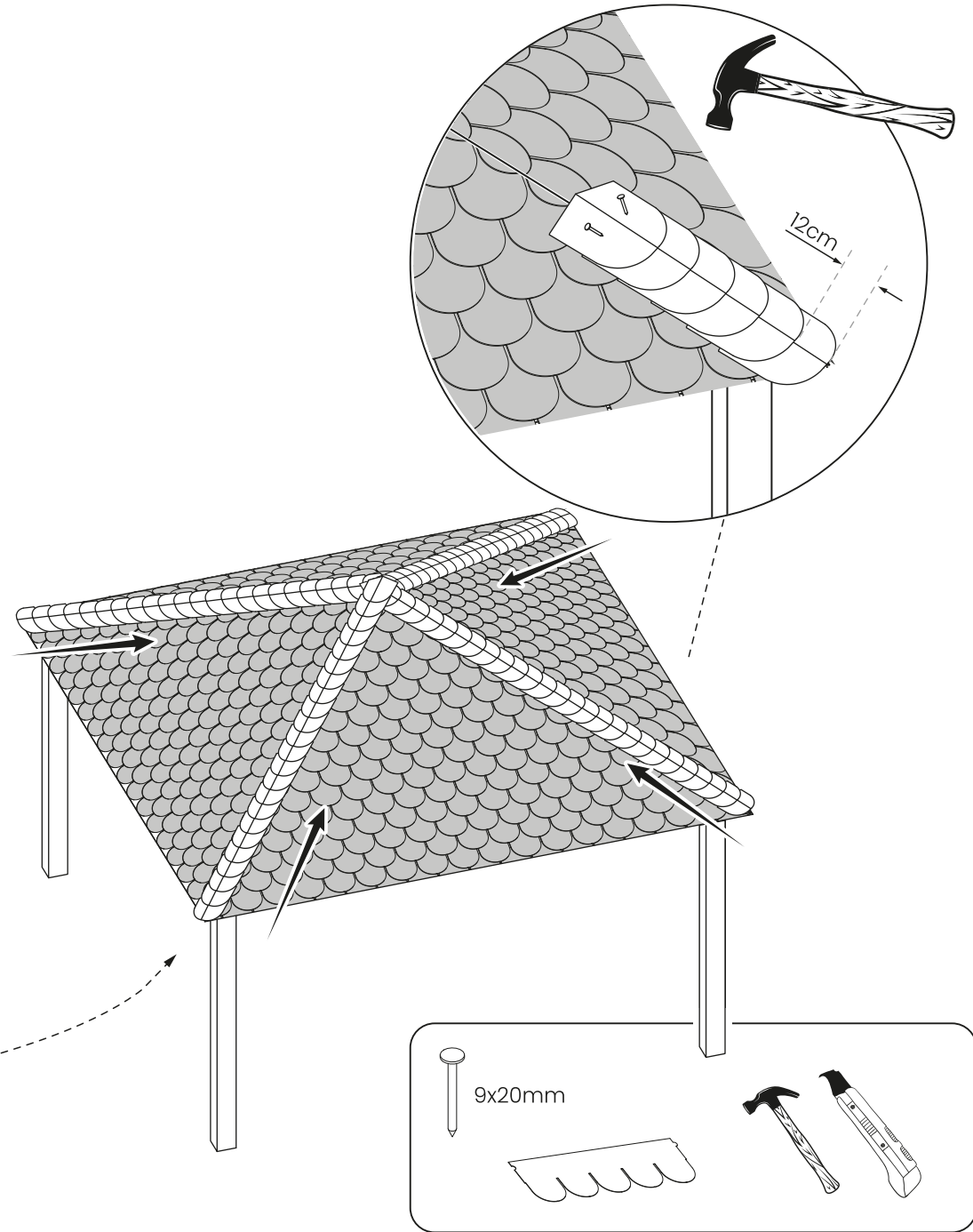
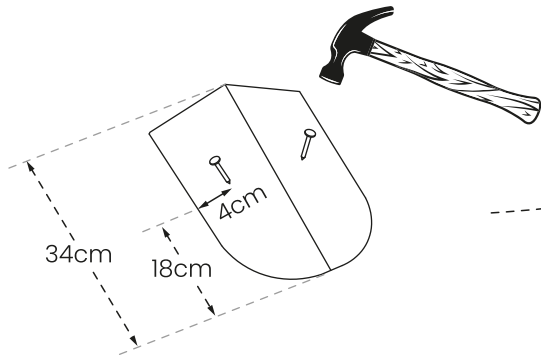
1



2



3



9x20mm